



# Jargeau 400 LED

## BSP641 LED92-4S/740 PSU DM50 FG BK G3/4

Jargeau 400 LED, LED module 9200 lm, 740 neutral white, Safety class I, Distribution medium 50, Flat glass, Black, Suspension set simple, standard

Jargeau 400 LED combines the symbolic features of the first four-sided street lamps of the 19th century with the technical performance of 21st century luminaires. It incorporates the energy-efficient LEDGINE - O engine with high-performance optics, while at the same time retaining the character of the original four-sided fixture. Designed for installation at heights of 4-6 meters, this luminaire is well suited to urban landscapes and ideal for illuminating city centers, historical areas, old villages, streets, alleys, squares and parks. Jargeau 400 LED can also enable the benefits of the latest technologies developed by Philips Lighting, including the CityTouch connected lighting system.

### Product data

General Information		Flammability mark	
Lamp family code	LED92 [LED module 9200 lm]	Flammability mark	-
Light source replaceable	Yes	ENEC mark	ENEC mark
Number of gear units	1 unit	EU RoHS compliant	Yes
Driver included	Yes	<b>Light Technical</b>	
Remarks	* At extreme ambient temperatures the luminaire might automatically dim down to protect components	Upward light output ratio	0.03
Light source engine type	LED	Luminous Flux	7,178 lm
Product family code	BGP641 [Jargeau 400 LED]	Standard tilt angle posttop	0°
Lighting Technology	LED	Standard tilt angle side entry	-
CE mark	Yes	Correlated Color Temperature (Nom)	4000 K
Warranty period	5 years	Luminous Efficacy (rated) (Nom)	114 lm/W
		Color rendering index (CRI)	≥70
		Light source color	740 neutral white

# Jargeau 400 LED

Optical cover type	Flat glass
Luminaire light beam spread	30° - 5° x 153°
Optic type outdoor	Distribution medium 50

## Operating and Electrical

Input Voltage	220-240 V
Line Frequency	50 or 60 Hz
Inrush current	46 A
Inrush time	250 ms
Power Consumption	63 W
Power Factor (Fraction)	0.9
Connection	Plug-in connector 3-pole Wieland/Adels compatible
Cable	-
Number of products on MCB of 16 A type B 11	

## Temperature

Ambient temperature range	-40 to +50 °C
---------------------------	---------------

## Controls and Dimming

Dimmable	No
Driver/power unit/transformer	Power supply unit (On/Off)
Constant light output	No

## Mechanical and Housing

Housing Material	Aluminum
Reflector material	-
Optic material	Polymethyl methacrylate
Optical cover material	Glass
Fixation material	Aluminum
Housing Color	Black
Mounting device	Suspension set simple, standard
Optical cover shape	Flat
Optical cover finish	Clear
Overall length	400 mm

Overall width	400 mm
Overall height	840 mm
Effective projected area	0.13 m <sup>2</sup>
Dimensions (Height x Width x Depth)	840 x 400 x 400 mm

## Approval and Application

Ingress protection code	IP66 [Dust penetration-protected, jet-proof]
Mech. impact protection code	IK09 [10 J]
Surge Protection (Common/Differential)	4/4 kV
Protection class IEC	Safety class I

## Initial Performance (IEC Compliant)

Luminous flux tolerance	+/-7%
Initial chromaticity	(0.381, 0.379) SDCM <5
Power consumption tolerance	+/-10%
Init. Color Rendering Index Tolerance	+/-2

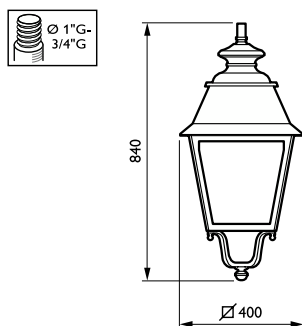
## Over Time Performance (IEC Compliant)

Driver failure rate at 5000 h	0.5 %
-------------------------------	-------

## Product Data

Order product name	BSP641 LED92-4S/740 PSU DM50 FG BK G3/4
Full product name	BSP641 LED92-4S/740 PSU DM50 FG BK G3/4
Full product code	871869910888500
Order code	912300023774
Material Nr. (12NC)	912300023774
Numerator - Quantity Per Pack	1
EAN/UPC - Product/Case	8718699108885
Numerator - Packs per outer box	1
EAN/UPC - Case	8718699108885

## Dimensional drawing



## Jargeau 400 LED

