



Vaya Linear MP

Vaya Linear MP, RGB, 10° x 50°, 1.2 m (4 ft), CE

Vaya Linear MP, RGB, 10° x 50°, 1.2 m (4 ft), CE

Vaya Linear MP is a reliable and cost-effective LED lighting fixture designed for fixed or dynamic colorful lighting effects. Offering a choice of wide or elliptical beams, Vaya Linear MP is ideal for wall washing and grazing applications. Integrated power and unified power and data connectors make installation fast, easy and reliable.

Product data

General information	
Lamp family code	LED-HB [LED High Brightness]
Beam angle of light source	10 x 50 °
Light source colour	Red, green and blue
Light source replaceable	No
Driver included	Yes
Optical cover/lens type	GC [Clear glass]
CE mark	CE mark
UL mark	-
CQC mark	-
Lifetime to 70% luminous flux	60000 h
PSE mark	PSE mark
Operating and electrical	
Input Voltage	100 to 277 V
Input frequency	50 to 60 Hz
Controls and dimming	
Dimmable	Yes

Mechanical and housing	
Housing material	Aluminum extruded
Optic material	Glass
Optical cover/lens material	Tempered glass
Optical cover/lens shape	Flat
Optical cover/lens finish	Clear
Length	1210 mm
Colour	Dark gray
Approval and application	
Ingress protection code	IP66 [Dust penetration-protected, jet-proof]
Energy Efficiency Class	G
Mech. impact protection code	IK06 [1 J]
Vibration standard	Complies with ANSI C136.31
Vibration rating	Complies with ANSI C136.31 1081407
Initial performance (IEC compliant)	
Initial luminous flux (system flux)	1934 lm

Vaya Linear MP

Initial LED luminaire efficacy	36.4 lm/W
Init. Corr. Colour Temperature	- K
Initial input power	60 W

Over time performance (IEC compliant)

Lumen Maintenance 50% at 25 °C Calculated	100000
Lumen Maintenance 50% at 25 °C Reported	36000
Lumen Maintenance 50% at 40 °C Calculated	63000
Lumen Maintenance 50% at 40 °C Reported	36000
Lumen Maintenance 70% at 25 °C Calculated	100000
Lumen Maintenance 70% at 25 °C Reported	36000
Lumen Maintenance 70% at 40 °C Calculated	29000
Lumen Maintenance 70% at 40 °C Reported	29000

Application conditions

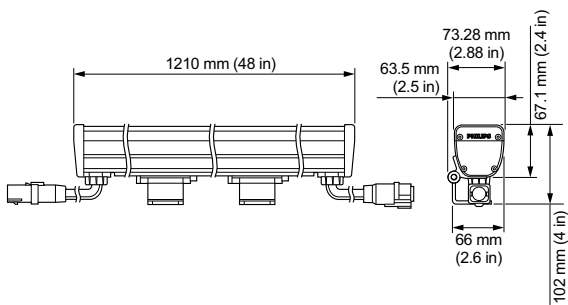
Ambient temperature range	-40 to +40 °C
---------------------------	---------------

Product data

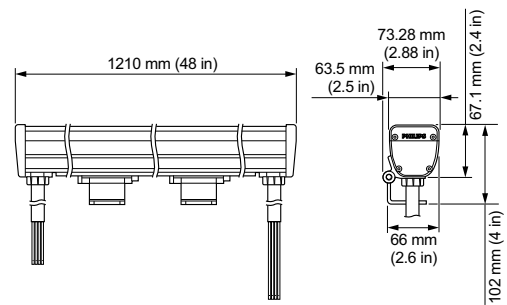
Full product code	871829162558299
Order product name	BCP424 10x50 RGB L1210 CE
EAN/UPC – product	8718291625582
Order code	316-000011-03
SAP numerator – quantity per pack	1
Numerator – packs per outer box	4
SAP material	912400130059
Net Weight (Piece)	3.850 kg
Commercial Code	316-000011-03
Catalogue number description	Vaya Linear MP, RGB, 10° x 50°, 1.2 m (4 ft), CE



Dimensional drawing



BCP424 10x50 RGB L1210 CE



BCP424 10x50 RGB L1210 CE

