



# Vaya Linear MP

## BCP426 50 BL L310 CE

Vaya Linear MP is a reliable and cost-effective LED lighting fixture designed for fixed or dynamic colorful lighting effects. Offering a choice of wide or elliptical beams, Vaya Linear MP is ideal for wall washing and grazing applications. Integrated power and unified power and data connectors make installation fast, easy and reliable.

### Product data

| General Information           |                               |
|-------------------------------|-------------------------------|
| Lamp family code              | LED-HB [ LED High Brightness] |
| Beam angle of light source    | 50 °                          |
| Light source color            | Blue                          |
| Light source replaceable      | No                            |
| Driver included               | Yes                           |
| Optical cover/lens type       | GC [ Clear glass]             |
| CE mark                       | CE mark                       |
| UL mark                       | -                             |
| CQC mark                      | -                             |
| Lifetime to 70% luminous flux | 60000 h                       |
| PSE mark                      | PSE mark                      |
| Operating and Electrical      |                               |
| Input Voltage                 | 100 to 277 V                  |
| Input Frequency               | 50 to 60 Hz                   |
| Controls and Dimming          |                               |
| Dimmable                      | No                            |
| Mechanical and Housing        |                               |
| Housing Material              | Aluminum extruded             |
| Optic material                | Glass                         |

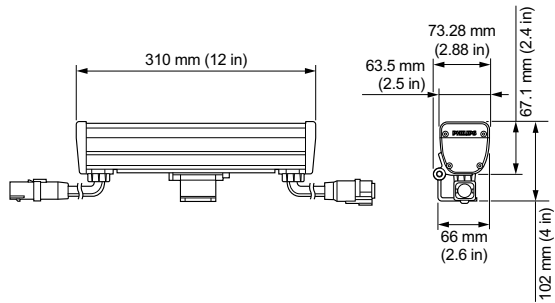
| Optical cover/lens material         | Tempered glass                                |
|-------------------------------------|---|
| Optical cover/lens shape            | Flat  |
| Optical cover/lens finish           | Clear   |
| Length                              | 310 mm  |
| Approval and Application            |   |
| Ingress protection code             | IP66 [ Dust penetration-protected, jet-proof] |
| Mech. impact protection code        | IK06 [ 1 J]                                   |
| Initial Performance (IEC Compliant) |   |
| Init. Corr. Color Temperature       | - K   |
| Application Conditions              |   |
| Ambient temperature range           | -40 to +104 °F                                |
| Product Data                        |   |
| Order product name                  | BCP426 50 BL L310 CE                          |
| EAN/UPC - Product                   | 8718291626312                                 |
| Order code                          | 912400130076                                  |
| Local order code                    | -   |
| Numerator - Quantity Per Pack       | 1   |
| Numerator - Packs per outer box     | 4   |
| Material Nr. (12NC)                 | 912400130076                                  |

# Vaya Linear MP

Net Weight (Piece) 1.420 kg

IK06

## Dimensional drawing



Vaya

