



# Vaya Linear MP

## BCP425 10x50 4000 L1210 CE CQC

Vaya Linear MP is a reliable and cost-effective LED lighting fixture designed for fixed or dynamic colorful lighting effects. Offering a choice of wide or elliptical beams, Vaya Linear MP is ideal for wall washing and grazing applications. Integrated power and unified power and data connectors make installation fast, easy and reliable.

### Product data

General Information		Optic material	
Lamp family code	LED-HB [ LED High Brightness]	Optic material	Glass
Beam angle of light source	10 x 50 °	Optical cover/lens material	Tempered glass
Light source color	Cool white	Optical cover/lens shape	Flat
Light source replaceable	No	Optical cover/lens finish	Clear
Driver included	Yes	Length	1210 mm
Optical cover/lens type	GC [ Clear glass]	Color	Dark gray
CE mark	CE mark	<b>Approval and Application</b>	
UL mark	-	Ingress protection code	IP66 [ Dust penetration-protected, jet-proof]
CQC mark	CQC-mark	Mech. impact protection code	IK06 [ 1 J]
Lifetime to 70% luminous flux	60000 h	Vibration Standard	Complies with ANSI C136.31
PSE mark	No	Vibration Rating	Complies with ANSI C136.31
<b>Operating and Electrical</b>		<b>Initial Performance (IEC Compliant)</b>	
Input Voltage	100 to 277 V	Initial luminous flux (system flux)	3375 lm
Input Frequency	50 to 60 Hz	Initial luminous flux at color temperature of 4000 K	3375 lm
<b>Controls and Dimming</b>		Initial LED luminaire efficacy	59 lm/W
Dimmable	Yes	Init. Corr. Color Temperature	4000 K
<b>Mechanical and Housing</b>		Init. Color Rendering Index	83
Housing Material	Aluminum extruded		

## Vaya Linear MP

Initial input power	60 W
<b>Over Time Performance (IEC Compliant)</b>	
Lumen Maintenance 70% at 25°C Calculated	100000
Lumen Maintenance 70% at 25°C Reported	60000
Lumen Maintenance 70% at 40°C Calculated	100000
Lumen Maintenance 70% at 40°C Reported	60000
Lumen Maintenance 80% at 25°C Reported	60000
Lumen Maintenance 80% at 40°C Calculated	100000
Lumen Maintenance 80% at 40°C Reported	60000
Lumen Maintenance 80% at 50°C Calculated	100000
Lumen Maintenance 90% at 25°C Calculated	62000
Lumen Maintenance 90% at 25°C Reported	60000
Lumen Maintenance 90% at 40°C Calculated	62000
Lumen Maintenance 90% at 40°C Reported	60000

### Application Conditions

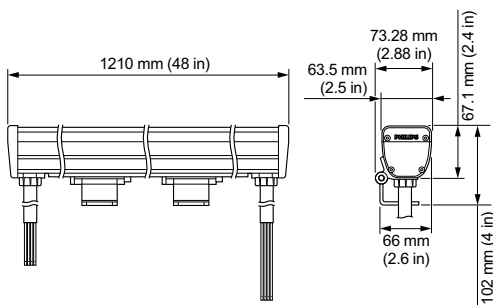
Ambient temperature range	-40 to +40 °C
---------------------------	---------------

### Product Data

Full product code	871829162590299
Order product name	BCP425 10x50 4000 L1210 CE CQC
EAN/UPC - Product	8718291625902
Order code	912400130140
Numerator - Quantity Per Pack	1
Numerator - Packs per outer box	4
Material Nr. (12NC)	912400130140
Net Weight (Piece)	3.850 kg



### Dimensional drawing



Vaya

