



Vaya Linear MP

BCP425 10x50 2700 L310 CE

Vaya Linear MP is a reliable and cost-effective LED lighting fixture designed for fixed or dynamic colourful lighting effects. Offering a choice of wide or elliptical beams, Vaya Linear MP is ideal for wall washing and grazing applications. Integrated power and unified power and data connectors make installation fast, easy and reliable.

Product data

General Information		Optic material	
Lamp family code	LED-HB [LED High Brightness]	Optic material	Glass
Beam angle of light source	10 x 50 °	Optical cover/lens material	Tempered glass
Lamp colour code	Warm white	Optical cover/lens shape	Flat
Light source replaceable	No	Optical cover/lens finish	Clear
Driver included	Yes	Length	310 mm
Optical cover/lens type	GC [Clear glass]	Colour	Dark Grey
CE mark	CE mark	Approval and Application	
UL mark	No	Ingress protection code	IP66 [Dust penetration-protected, jet-proof]
CQC mark	-	Mech. impact protection code	IK06 [1 J]
Lifetime to 70% luminous flux	60000 h	Initial Performance (IEC Compliant)	
PSE mark	PSE mark	Initial luminous flux	840 lm
Operating and Electrical		Initial luminous flux at color temperature of 2700 K	840 lm
Input voltage	100 to 277 V	Lamp colour temperature	2700 K
Input frequency	50 to 60 Hz	Initial input power	18 W
Controls and Dimming		Over Time Performance (IEC Compliant)	
Dimmable	Yes	Lumen Maintenance 70% at 25°C Calculated	100000
Mechanical and Housing		Lumen Maintenance 70% at 25°C Reported	60000
Housing material	Aluminum extruded		

Vaya Linear MP

Lumen Maintenance 70% at 40°C Calculated	100000
Lumen Maintenance 70% at 40°C Reported	60000
Lumen Maintenance 80% at 25°C Reported	60000
Lumen Maintenance 80% at 40°C Calculated	100000
Lumen Maintenance 80% at 40°C Reported	60000
Lumen Maintenance 80% at 50°C Calculated	100000
Lumen Maintenance 90% at 25°C Calculated	62000
Lumen Maintenance 90% at 25°C Reported	60000
Lumen Maintenance 90% at 40°C Calculated	62000
Lumen Maintenance 90% at 40°C Reported	60000

Application Conditions

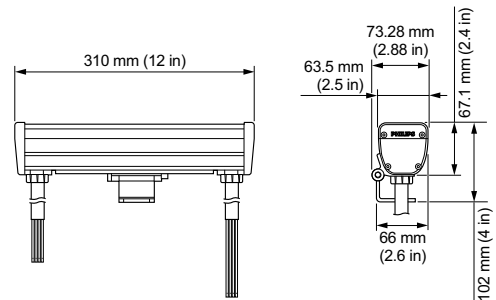
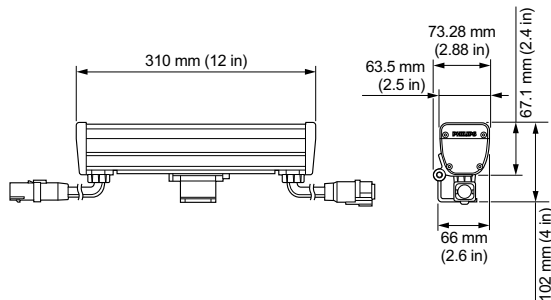
Ambient temperature range	-40 to +40 °C
---------------------------	---------------

Product Data

Full product code	871829162592699
Order product name	BCP425 10x50 2700 L310 CE
EAN/UPC – product	8718291625926
Order code	912400130142
Numerator – quantity per pack	1
Numerator – packs per outer box	4
Material no. (12NC)	912400130142
Net weight (piece)	1.360 kg



Dimensional drawing



Vaya

Vaya

