



# eW Reach Compact Powercore

## eW Reach Compact Powercore, 2700 K, 5° Native (no spread lens), UL/CE

eW Reach Compact Powercore, 2700 K, 5° Native (no spread lens), UL/CE

eW Reach Compact Powercore combines all the benefits of LED-based lighting in a compact fixture specifically designed for large-scale installations where high-quality white light is required, such as in commercial skyscrapers, casinos, large retail exteriors, bridges, piers, public monuments, and themed attractions. With levels of light output and projection never before achieved in a compact LED lighting fixture, eW Reach Compact Powercore delivers intense, energy-efficient output at a reasonable price, opening up new possibilities for exterior illumination. Standard configurations include a warm 2700 K and a cool 4000 K, with six additional color temperatures available, ranging from 3000 K to 6500 K.

### Product data

General Information		Operating and Electrical	
Number of light sources	52 [ 52 pcs]	Flammability mark	F [ For mounting on normally flammable surfaces]
Lamp family code	LED-HB [ LED High Brightness]	CE mark	CE mark
Light source colour	Warm white	UL mark	UL and cUL mark
Light source replaceable	No	Warranty period	5 years
Driver/power unit/transformer	PSDMX [ Power supply unit with DMX interface]	EU RoHS compliant	Yes
Driver included	Yes	WEEE mark	WEEE mark
Optical cover/lens type	FG [ Flat glass]	Life to 70% init. flux at 25 °C	100000 h
Luminaire light beam spread	5°		
Protection class IEC	Safety class I (I)	Input Voltage	100 to 277 V

# eW Reach Compact Powercore

Input frequency	50 to 60 Hz
Control signal voltage	1-10 V DC

## Controls and Dimming

Dimmable	Yes
----------	-----

## Mechanical and Housing

Housing material	Aluminum die-cast
Optic material	Glass
Optical cover/lens material	Tempered glass
Optical cover/lens finish	Clear
Colour	Aluminum

## Approval and Application

Ingress protection code	IP66 [ Dust penetration-protected, jet-proof]
Mech. impact protection code	IK07 [ 2 J reinforced]

## Initial Performance (IEC Compliant)

Initial luminous flux (system flux)	6562 lm
Initial luminous flux at colour temperature of 2,700 K	6562 lm
Luminous flux tolerance	+/-10%
Initial LED luminaire efficacy	59.8 lm/W
Init. Corr. Colour Temperature	2700 K
Init. Colour rendering index	80
Initial input power	125 W
Power consumption tolerance	+/-10%

## Over Time Performance (IEC Compliant)

Lumen Maintenance 70% at 25 °C Calculated	100000
Lumen Maintenance 70% at 50 °C Calculated	100000
Lumen Maintenance 80% at 25 °C Calculated	100000
Lumen Maintenance 80% at 50 °C Calculated	100000
Lumen Maintenance 90% at 25 °C Reported	42300
Lumen Maintenance 90% at 50 °C Reported	42300

## Application Conditions

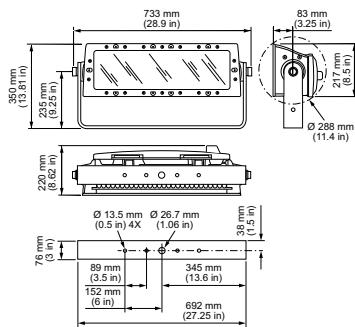
Ambient temperature range	-40 to +50 °C
---------------------------	---------------

## Product Data

Full product code	871829139014500
Order product name	DCP400 2700 CO 100-277V UL CE
EAN/UPC – product	8718291390145
Order code	523-000095-12
SAP numerator – quantity per pack	1
Numerator – packs per outer box	1
SAP material	912400133469
SAP net weight (piece)	23.400 kg
Commercial Code	523-000095-12
Catalogue number description	eW Reach Compact Powercore, 2700 K, 5° Native (no spread lens), UL/CE



## Dimensional drawing



## Reach Compact

## eW Reach Compact Powercore

