



# Color Reach Compact Powercore

## ColorReach Compact Powercore, RGB, 5° Native (no spread lens), UL/CE

ColorReach Compact Powercore, RGB, 5° Native (no spread lens), UL/CE

ColorReach Compact Powercore combines all the benefits of LED-based lighting and control in a compact fixture specifically designed for large-scale installations, such as commercial skyscrapers, casinos, bridges, piers, public monuments, and themed attractions. With levels of light output and projection never before achieved in a compact LED lighting fixture, ColorReach Compact Powercore delivers intense, energy-efficient output at a reasonable price, opening up new possibilities for exterior illumination. Custom configurations with custom channels of white or coloured LED sources are also available to support special applications.

### Product data

General Information		Operating and Electrical	
Number of light sources	52 [ 52 pcs]	Flammability mark	F [ For mounting on normally flammable surfaces]
Lamp family code	LED-HB [ LED High Brightness]	CE mark	CE mark
Light source colour	RGB	UL mark	UL and cUL mark
Light source replaceable	No	Warranty period	5 years
Driver/power unit/transformer	PSR [ Power supply unit regulating]	EU RoHS compliant	Yes
Driver included	Yes	WEEE mark	WEEE mark
Optical cover/lens type	FG [ Flat glass]	Life to 70% init. flux at 25 °C	100000 h
Luminaire light beam spread	5°		
Protection class IEC	Safety class I		
		Input Voltage	100 to 277 V

# Color Reach Compact Powercore

Input frequency	50 to 60 Hz
Control signal voltage	1-10 V DC

## Controls and Dimming

Dimmable	Yes
----------	-----

## Mechanical and Housing

Housing material	Aluminium die-cast
Optic material	Glass
Optical cover/lens material	Tempered glass
Optical cover/lens shape	Flat
Optical cover/lens finish	Clear
Colour	Aluminium

## Approval and Application

Ingress protection code	IP66 [ Dust penetration-protected, jet-proof]
Mech. impact protection code	IK07 [ 2 J reinforced]

## Initial Performance (IEC Compliant)

Initial luminous flux (system flux)	4658 lm
Init. Colour rendering index	82
Initial input power	130 W
Power consumption tolerance	+/-10%

## Over Time Performance (IEC Compliant)

Lumen Maintenance 70% at 25 °C	100000
Calculated	
Lumen Maintenance 70% at 50 °C	100000
Calculated	

## Application Conditions

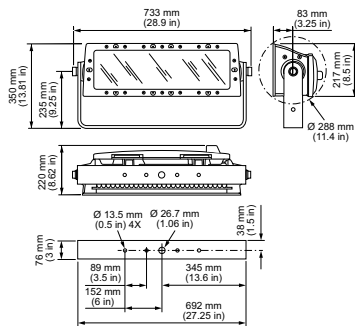
Ambient temperature range	-40 to +50 °C
---------------------------	---------------

## Product Data

Full product code	871829139012100
Order product name	DCP403 RGB CO 100-277V UL CE
EAN/UPC – product	8718291390121
Order code	123-000154-02
SAP numerator – quantity per pack	1
Numerator – packs per outer box	1
SAP material	912400133610
SAP net weight (piece)	23.400 kg
Commercial Code	123-000154-02
Catalogue number description	ColorReach Compact Powercore, RGB, 5° Native (no spread lens), UL/CE



## Dimensional drawing



## Reach Compact

## Color Reach Compact Powercore

