



eW Blast Powercore gen4

eW Blast Powercore gen4, 2700 K, 100 – 277 VAC, 6° Native (no spread lens), Black housing

eW Blast Powercore gen4, 2700 K, 100 – 277 VAC, 6° Native (no spread lens), Black housing

eW Blast Powercore gen4 high-performance LED luminaires provide a high-intensity wash of white light with simplified installation. eW Blast Powercore gen4 offers a range of accessories that allow for customisable beam angles for floodlighting, spotlighting, wall washing and grazing, along with the efficiency and cost-effectiveness of Powercore technology in a rugged die-cast aluminum housing.

Product data

General information		Operating and electrical	
Lamp family code	LED-HB [LED High Brightness]	Lifetime to 90% luminous flux	28000 h
Lamp colour code	White	Optic type outdoor	Narrow beam angle 6°
Light source replaceable	No	Constant light output	Yes
Number of gear units	1 unit	Accessory PFC	ZCP485
Driver/power unit/transformer	PSDMX [Power supply unit with DMX interface]	Input Voltage	100 to 277 V
Optical cover/lens type	CLFT [Clear flat]	Input frequency	50 to 60 Hz
Luminaire light beam spread	6°	Power factor (nom.)	0.9
Protection class IEC	Safety class I (I)	Controls and dimming	
CE mark	CE mark	Dimmable	Yes
UL mark	UL and cUL mark		
Lifetime to 50% luminous flux	100000 h		
Lifetime to 70% luminous flux	84000 h		

eW Blast Powercore gen4

Mechanical and housing

Housing material	Aluminum die-cast
Optic material	Glass
Optical cover/lens material	Tempered glass
Fixation material	Aluminium
Mounting device	Baseplate
Optical cover/lens shape	Flat
Optical cover/lens finish	Clear
Colour	Black

Approval and application

Ingress protection code	IP66 [Dust penetration-protected, jet-proof]
Energy Efficiency Class	G
Mech. impact protection code	IK10 [20 J vandal-resistant]
Vibration standard	Complies with ANSI C136.31, 3G
Vibration rating	Complies with ANSI C136.31, 3G 915338

Initial performance (IEC compliant)

Lamp colour temperature	2700 K
Initial input power	50 W

Over time performance (IEC compliant)

Lumen Maintenance 50% at 25 °C Calculated	100000
Lumen Maintenance 50% at 25 °C Reported	51000
Lumen Maintenance 50% at 50 °C Calculated	100000
Lumen Maintenance 50% at 50 °C Reported	51000

Lumen Maintenance 70% at 25 °C Calculated	84000
Lumen Maintenance 70% at 25 °C Reported	51000
Lumen Maintenance 70% at 50 °C Calculated	83000
Lumen Maintenance 70% at 50 °C Reported	51000
Lumen Maintenance 90% at 25 °C Calculated	28000
Lumen Maintenance 90% at 25 °C Reported	28000
Lumen Maintenance 90% at 50 °C Calculated	27000
Lumen Maintenance 90% at 50 °C Reported	28000

Application conditions

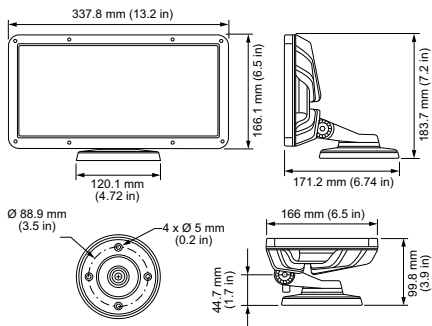
Ambient temperature range	-40 to +50 °C
---------------------------	---------------

Product data

Full product code	871829139288099
Order product name	BCP481 36xLED-HB/2700K 100-277V BK
EAN/UPC – product	8718291392880
Order code	523-000100-01
SAP numerator – quantity per pack	1
Numerator – packs per outer box	2
SAP material	912400134973
Net Weight (Piece)	4.146 kg
Commercial Code	523-000100-01
Commercial Code	eW Blast Powercore gen4, 2700 K, 100 – 277 VAC, 6° Native (no spread lens), Black housing



Dimensional drawing



BCP481 36xLED-HB/2700K 100-277V BK

eW Blast Powercore gen4

