



eW Blast Powercore gen4

eW Blast Powercore gen4, 4000 K, 100 – 277 VAC, 6° Native (no spread lens), White housing

eW Blast Powercore gen4, 4000 K, 100 – 277 VAC, 6° Native (no spread lens), White housing

eW Blast Powercore gen4 high-performance LED luminaires provide a high-intensity wash of white light with simplified installation. eW Blast Powercore gen4 offers a range of accessories that allow for customisable beam angles for floodlighting, spotlighting, wall washing and grazing, along with the efficiency and cost-effectiveness of Powercore technology in a rugged die-cast aluminum housing.

Product data

General information		Optic type outdoor	
Lamp family code	LED-HB [LED High Brightness]	Constant light output	Yes
Light source colour	White	Accessory PFC	ZCP485
Light source replaceable	No	Operating and electrical	
Driver/power unit/transformer	PSDMX [Power supply unit with DMX interface]	Input Voltage	100 to 277 V
Optical cover/lens type	CLFT [Clear flat]	Input frequency	50 to 60 Hz
Luminaire light beam spread	6°	Power factor (nom.)	0.9
Protection class IEC	Safety class I (I)	Controls and dimming	
CE mark	CE mark	Dimmable	Yes
UL mark	UL and cUL mark	Mechanical and housing	
Lifetime to 50% luminous flux	100000 h	Housing material	Aluminum die-cast
Lifetime to 70% luminous flux	84000 h		
Lifetime to 90% luminous flux	28000 h		

eW Blast Powercore gen4

Optic material	Glass
Optical cover/lens material	Tempered glass
Mounting device	Baseplate
Optical cover/lens shape	Flat
Optical cover/lens finish	Clear
Colour	White

Approval and application

Ingress protection code	IP66 [Dust penetration-protected, jet-proof]
Energy Efficiency Class	G
Mech. impact protection code	IK10 [20 J vandal-resistant]
Vibration standard	Complies with ANSI C136.31, 3G
Vibration rating	Complies with ANSI C136.31, 3G 915342

Initial performance (IEC compliant)

Initial luminous flux (system flux)	3189 lm
Initial LED luminaire efficacy	65.8 lm/W
Init. Corr. Colour Temperature	4000 K
Initial input power	50 W

Over time performance (IEC compliant)

Lumen Maintenance 50% at 25 °C Calculated	100000
Lumen Maintenance 50% at 25 °C Reported	51000
Lumen Maintenance 50% at 50 °C Calculated	100000
Lumen Maintenance 50% at 50 °C Reported	51000
Lumen Maintenance 70% at 25 °C Calculated	84000

Lumen Maintenance 70% at 25 °C Reported	51000
Lumen Maintenance 70% at 50 °C Calculated	83000
Lumen Maintenance 70% at 50 °C Reported	51000
Lumen Maintenance 90% at 25 °C Calculated	28000
Lumen Maintenance 90% at 25 °C Reported	28000
Lumen Maintenance 90% at 50 °C Calculated	27000
Lumen Maintenance 90% at 50 °C Reported	28000

Application conditions

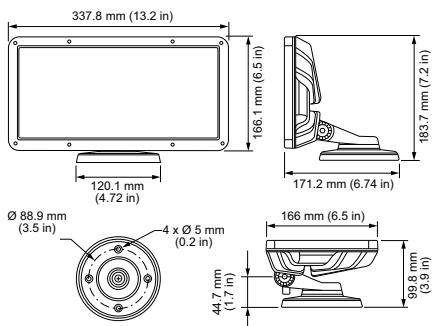
Ambient temperature range	-40 to +50 °C
---------------------------	---------------

Product data

Full product code	871829139291099
Order product name	BCP481 36xLED-HB/4000K 100-277V WH
EAN/UPC – product	8718291392910
Order code	523-000100-04
SAP numerator – quantity per pack	1
Numerator – packs per outer box	2
SAP material	912400134981
Net Weight (Piece)	4.850 kg
Commercial Code	523-000100-04
Catalogue number description	eW Blast Powercore gen4, 4000 K, 100 – 277 VAC, 6° Native (no spread lens), White housing



Dimensional drawing



BCP481 36xLED-HB/4000K 100-277V WH

eW Blast Powercore gen4

