



eW Graze QLX Powercore

eW Graze QLX Powercore, 3000 K, 9° x 9° Beam Angle, 305 mm (1 ft)

eW Graze QLX Powercore, 3000 K, 9° x 9° Beam Angle, 305 mm (1 ft)

eW Graze QLX Powercore is perfect for applications calling for a balance of cost and performance. Graze is a high-performance, exterior linear luminaire designed to highlight architectural features ranging from surface textures and molding details to archways and windows. Graze Essential White luminaires offer a single channel of white light. Available in 2700 K, 3000 K, 3500 K, 4000 K, and 5500 K. Multiple luminaire lengths, beam angles, output levels, and power consumption levels support a large range of façade or surface illumination applications. Low-profile housing, connectorized cabling, a universal power input range, and direct line voltage operation make Graze luminaires easy to install and operate.

Product data

General information		Lifetime to 70% luminous flux	
Lamp family code	LED-HB [LED High Brightness]	100000 h	
Light source color	White	Operating and electrical	
Light source replaceable	No	Input Voltage	100 to 277 V
Driver included	Yes	Input Frequency	50 to 60 Hz
Optical cover/lens type	Polycarbonate bowl/cover clear	Controls and dimming	
Luminaire light beam spread	9° x 9°	Dimmable	Yes
Protection class IEC	Safety class I		
CE mark	CE mark		
UL mark	UL and cUL mark		

eW Graze QLX Powercore

Mechanical and housing

Housing Material	Aluminum extruded
Optical cover/lens material	Polycarbonate
Length	305 mm
Color	Aluminum

Approval and application

Ingress protection code	IP66 [Dust penetration-protected, jet-proof]
Mech. impact protection code	IK10 [20 J vandal-resistant]
Vibration Standard	Complies with ANSI C136.31, 3G
Corrosion Resistance	Complies with ASTM B117 standard with special order. Please contact your Color Kinetics Lighting Sales rep for custom configurations.
FCC mark	FCC Class A
Vibration Rating	Complies with ANSI C136.31, 3G

Initial performance (IEC compliant)

Init. Corr. Color Temperature	3000 K
Initial input power	10 W

Over time performance (IEC compliant)

Lumen Maintenance 50% at 25°C	60000
Reported	
Lumen Maintenance 50% at 50°C	60000
Reported	

Lumen Maintenance 70% at 25°C	60000
Reported	
Lumen Maintenance 70% at 50°C	60000
Reported	

Application conditions

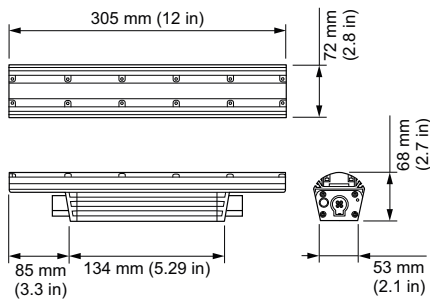
Ambient temperature range	-40 to +50 °C
---------------------------	---------------

Product data

Full product code	871869921016899
Order product name	BCS427 9-3000 L305
EAN/UPC - Product	8718699210168
Order code	523-000081-60
Numerator - Quantity Per Pack	1
Numerator - Packs per outer box	4
Material Nr. (12NC)	912400135246
Net Weight (Piece)	1.200 kg
Catalog Number	523-000081-60
Catalog Number Description	eW Graze QLX Powercore, 3000 K, 9° x 9° Beam Angle, 305 mm (1 ft)



Dimensional drawing



BCS427 9-3000 L305

eW Graze QLX Powercore

