



eW Graze QLX Powercore

BCS427 60x30-3500 L609

eW Graze QLX Powercore, 3500 K, 60° x 30° Beam Angle, 610 mm (2 ft)

Many architectural structures need a linear fixture capable of illuminating several storeys with minimal setback and reduced power consumption. Property owners/end users need a controllable product capable of dynamic illumination to draw attention to their establishments and emphasise their brands. Graze QLX Powercore is capable of illuminating over 10 metres at very close setback distances. Powercore technology enables simple installation and long product run lengths.

Product data

General Information		Input frequency	
Lamp family code	LED-HB [LED High Brightness]	Input frequency	50 to 60 Hz
Light source colour	White	Controls and Dimming	
Light source replaceable	No	Dimmable	Yes
Driver included	Yes	Mechanical and Housing	
Optical cover/lens type	PCC [Polycarbonate bowl/cover clear]	Housing material	Extruded aluminium
Luminaire light beam spread	60° x 30°	Optical cover/lens material	Polycarbonate
Protection class IEC	Safety class I	Length	609 mm
CE mark	CE mark	Colour	Aluminium
UL mark	UL and cUL mark	Approval and Application	
Lifetime to 70% luminous flux	100000 h	Ingress protection code	IP66 [Dust penetration-protected, jet-proof]
Operating and Electrical		Mech. impact protection code	IK10 [20 J vandal-resistant]
Input Voltage	100 to 277 V		

eW Graze QLX Powercore

Vibration standard	Complies with ANSI C136.31, 3G
Vibration rating	Complies with ANSI C136.31, 3G

Initial Performance (IEC Compliant)

Init. Corr. Colour Temperature	3500 K
Initial input power	10 W

Over Time Performance (IEC Compliant)

Lumen Maintenance 50% at 25 °C	60000
Reported	
Lumen Maintenance 50% at 50 °C	60000
Reported	
Lumen Maintenance 70% at 25 °C	60000
Reported	
Lumen Maintenance 70% at 50 °C	60000
Reported	

Application Conditions

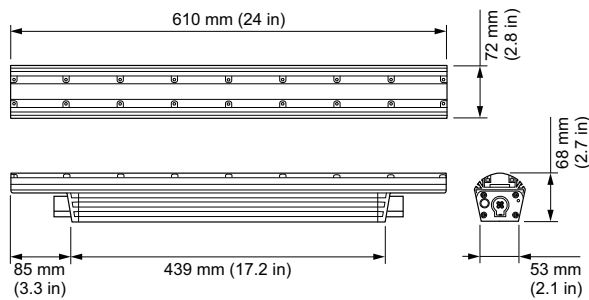
Ambient temperature range	-40 to +50 °C
---------------------------	---------------

Product Data

Full product code	871869921065699
Order product name	BCS427 60x30-3500 L609
EAN/UPC – product	8718699210656
Order code	523-000081-89
SAP numerator – quantity per pack	1
Numerator – packs per outer box	4
SAP material	912400135295
SAP net weight (piece)	2.700 kg
Commercial Code	523-000081-89
Catalogue number description	eW Graze QLX Powercore, 3500 K, 60° x 30° Beam Angle, 610 mm (2 ft)



Dimensional drawing



BCS427 60x30-3500 L609

