



# eW Blast Powercore gen4, OptiField

## eW Blast Powercore gen4, OptiField, 3000 K, Gray housing

eW Blast Powercore gen4, OptiField, 3000 K, Gray housing

eW Blast Powercore gen4, OptiField high-performance LED luminaires provide uniform lighting across large surfaces. eW Blast Powercore gen4, OptiField increases application efficiency by directing more light on a specific target and offers a range of accessories that allow for customization, along with the efficiency and cost-effectiveness of Powercore technology in a rugged die-cast aluminium housing.

### Product data

General information		Light technical	
Light source color	White	Target area uniformity	3.3:1
Light source replaceable	No		
Number of gear units	1 unit	Operating and electrical	
Driver/power unit/transformer	Power supply unit with DMX interface	Input Voltage	100 to 277 V
Driver included	Yes	Input Frequency	50 to 60 Hz
Optical cover/lens type	Clear flat	Power Factor (Nom)	0.9
Protection class IEC	Safety class I		
CE mark	CE mark	Controls and dimming	
UL mark	UL and cUL mark	Dimmable	Yes
Lifetime to 50% luminous flux	100000 h		
Lifetime to 70% luminous flux	84000 h	Mechanical and housing	
Lifetime to 90% luminous flux	28000 h	Housing Material	Aluminum die cast
Constant light output	Yes	Optic material	Glass
Accessory PFC	ZCP485	Optical cover/lens material	Tempered glass
		Fixation material	Aluminum

# eW Blast Powercore gen4, OptiField

Mounting device	Baseplate
Optical cover/lens shape	Flat
Optical cover/lens finish	Clear
Color	Gray

## Approval and application

Ingress protection code	IP66 [ Dust penetration-protected, jet-proof]
Mech. impact protection code	IK10 [ 20 J vandal-resistant]
Vibration Standard	Complies with ANSI C136.31, 3G
Corrosion Resistance	Complies with ASTM B117 standard for > 1,500 hours
FCC mark	FCC Class B
Vibration Rating	Complies with ANSI C136.31, 3G

## Initial performance (IEC compliant)

Initial luminous flux (system flux)	2521 lm
Initial LED luminaire efficacy	52.7 lm/W
Init. Corr. Color Temperature	3000 K
Init. Color Rendering Index	>80
Initial input power	50 W

## Over time performance (IEC compliant)

Lumen Maintenance 50% at 25°C Calculated	100000
Lumen Maintenance 50% at 25°C Reported	51000
Lumen Maintenance 50% at 50°C Calculated	100000
Lumen Maintenance 50% at 50°C Reported	51000
Lumen Maintenance 70% at 25°C Calculated	84000

Lumen Maintenance 70% at 25°C Reported	51000
Lumen Maintenance 70% at 50°C Calculated	83000
Lumen Maintenance 70% at 50°C Reported	51000
Lumen Maintenance 90% at 25°C Calculated	28000
Lumen Maintenance 90% at 25°C Reported	28000
Lumen Maintenance 90% at 50°C Calculated	27000
Lumen Maintenance 90% at 50°C Reported	28000

## Application conditions

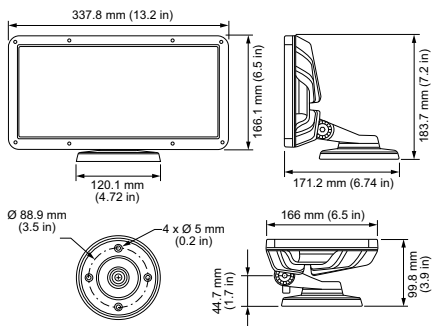
Ambient temperature range	-40 to +50 °C
---------------------------	---------------

## Product data

Full product code	871829139505899
Order product name	BCP481 36xLED-HB/3000K 100-277V FTA GY
EAN/UPC - Product	8718291395058
Order code	523-000100-29
Numerator - Quantity Per Pack	1
Numerator - Packs per outer box	2
Material Nr. (12NC)	912400135502
Net Weight (Piece)	4.146 kg
Catalog Number	523-000100-29
Catalog Number Description	eW Blast Powercore gen4, OptiField, 3000 K, Gray housing



## Dimensional drawing



BCP481 36xLED-HB/3000K 100-277V FTA GY

## eW Blast Powercore gen4, OptiField

