

# LuxSense

## LRL1220 TL-D

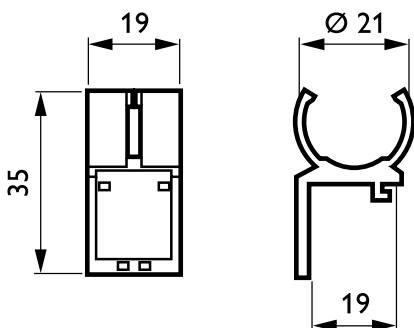
LuxSense is a DayLight Regulation option (DLR) for luminaires equipped with a Philips HFR ballast. The sensor measures the reflected light coming from the surface below. It dims down the lamp output when the light level exceeds the required light level defined by the light sensor set point. LuxSense can be installed in the luminaire by attaching it to the lamp with a lamp clip. LuxSense is available as a complete set with a sensor and a lamp clip: LRL1220 TL-D for TLD lamps and LRL1220 TL5 for T5 lamps.

### Product data

Product Data	
Order product name	LRL1220 TL-D
Full product name	LRL1220 TL-D
Full EOC	871155967012630
Order code	67012630
Material no. (12 NC)	913700182282

SAP numerator – quantity per pack	1
EAN/UPC – Product/Case	8711559670126
Numerator – packs per outer box	100
EAN/UPC - Case	8711559670133

### Dimensional drawing



Product
LRL1220 TL-D

Dimensional drawing

