

HID-HeavyDuty BSN semi-parallel for SON/CDO/MH/HPI

BSN 150 L33-TS 230V 50Hz HD2-126

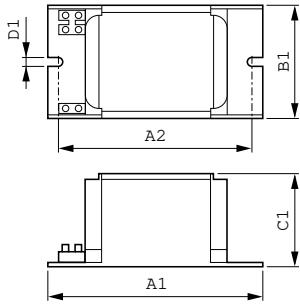
Encapsulated electromagnetic copper/iron ballasts for use with an external semi-parallel ignitor for CDM, CDO, MH, HPI (Plus) and SON lamps

Product data

Operating and Electrical		Full product name	
Input Voltage	230 V	BSN 150 L33-TS 230V 50Hz HD2-126	
Line Frequency	50 Hz	Full product code	
Input Frequency	50 Hz	871150005960430	
		Order code	
		913700226126	
		Material Nr. (12NC)	
		913700226126	
		Numerator - Quantity Per Pack	
		1	
		EAN/UPC - Product/Case	
		8711500059604	
		Numerator - Packs per outer box	
		6	
		EAN/UPC - Case	
		8711500059611	
Wiring			
Connector Type	Screw		
Approval and Application			
Approval Marks	CE marking ENEC certificate		
Product Data			
Order product name	BSN 150 L33-TS 230V 50Hz HD2-126		

HID-HeavyDuty BSN semi-parallel for SON/CDO/MH/HPI

Dimensional drawing



Product	D1	C1	A1	A2	B1
BSN 150 L33-TS 230V 50Hz HD2-126	6.2 mm	66.0 mm	126.0 mm	107.5 mm	81.0 mm

