

HID-HeavyDuty BSN semi-parallel for SON/CDO/MH/HPI

BSN 400 L34-TS 240V 50Hz HD3-166

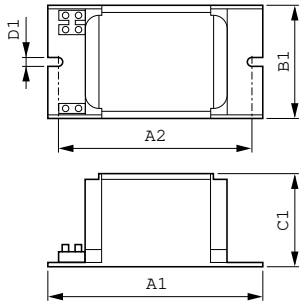
Encapsulated electromagnetic copper/iron ballasts for use with an external semi-parallel ignitor for CDM, CDO, MH, HPI (Plus) and SON lamps

Product data

Operating and Electrical		Full product name	
Input Voltage	240 V	Full product code	BSN 400 L34-TS 240V 50Hz HD3-166
Line Frequency	50 Hz	Order code	871150005978930
Input Frequency	50 Hz	Material Nr. (12NC)	913700227026
		Numerator - Quantity Per Pack	1
		EAN/UPC - Product/Case	8711500059789
		Numerator - Packs per outer box	4
		EAN/UPC - Case	8711500059796
Wiring			
Connector Type	Screw		
Approval and Application			
Approval Marks	CE marking ENEC certificate		
Product Data			
Order product name	BSN 400 L34-TS 240V 50Hz HD3-166		

HID-HeavyDuty BSN semi-parallel for SON/CDO/MH/HPI

Dimensional drawing



Product	D1	C1	A1	A2	B1
BSN 400 L34-TS 240V 50Hz	6.2 mm	84.0 mm	166.0 mm	147.5 mm	102.0 mm
HD3-166					

