

HID-Basic BSN/BMH MK4 semi-parallel for SON/CDO/CDM/MH/ HPI

BSN 70 K302-I 230V 50Hz BC1-118

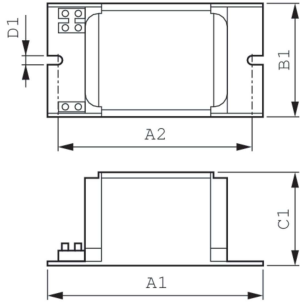
Impregnated electromagnetic copper ballasts for use with an external semi-parallel ignitor for CDM, CDO, MH, HPI (Plus) and SON lamps

Product data

Operating and Electrical		Full product name	
Input Voltage	230 V	Full product code	872790094051000
Line Frequency	50 Hz	Order code	94051000
Input Frequency	50 Hz	Material Nr. (12NC)	913700282626
Wiring		Numerator - Quantity Per Pack	1
Connector Type	Screw	EAN/UPC - Product/Case	8727900940510
Approval and Application		Numerator - Packs per outer box	6
Approval Marks	CE marking ENEC certificate	EAN/UPC - Case	8727900940527
Product Data			
Order product name	BSN 70 K302-I 230V 50Hz BC1-118		

HID-Basic BSN/BMH MK4 semi-parallel for SON/CDO/CDM/MH/HPI

Dimensional drawing



Product	D1	C1	A1	A2	B1
BSN 70 K302-I 230V 50Hz BC1-118	6.2 mm	52.0 mm	118.0 mm	94.0 mm	61.0 mm

