



# OccuSwitch

## LRM1000/00 OS MOV DET

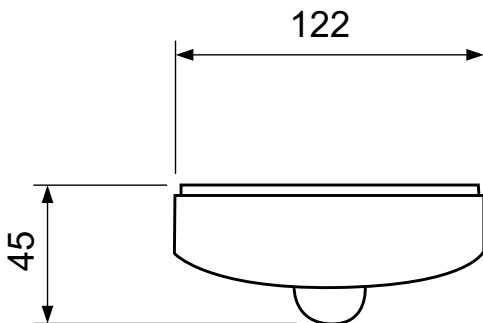
The OccuSwitch is a movement detector with a built-in switch. It will switch the lights off in a room or area when it is vacated and thus save up to 30% on electricity. The OccuSwitch can switch any load of up to 6 A and control an area of between 20 and 25 m<sup>2</sup>. A detachable mains connector enables easy installation and mounting of the OccuSwitch in the ceiling

### Product data

Product Data	
Order product name	LRM1000/00 OS MOV DET
Full product name	LRM1000/00 OS MOV DET
Full product code	871829122557700
Order code	913700350003
Material Nr. (12NC)	913700350003

Numerator - Quantity Per Pack	1
EAN/UPC - Product/Case	8718291225577
Numerator - Packs per outer box	72
EAN/UPC - Case	8718291225584

### Dimensional drawing



Product
LRM1000/00 OS MOV DET