



# OccuSwitch

## LRM1011/10 OS Mov Det incl P-Pack CS

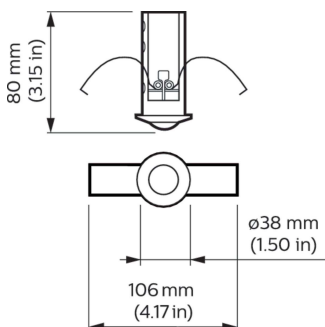
The OccuSwitch is a movement detector with a built-in switch. It will switch the lights off in a room or area when it is vacated and thus save up to 30% on electricity. The OccuSwitch can switch any load of up to 6 A and control an area of between 20 and 25 m<sup>2</sup>. A detachable mains connector enables easy installation and mounting of the OccuSwitch in the ceiling

### Product data

Product Data	
Order product name	LRM1011/10 OS Mov Det incl P-Pack CS
Full product name	LRM1011/10 OS Mov Det incl P-Pack CS
Full product code	871869644209800
Order code	913700359303
Material Nr. (12NC)	913700359303

Numerator - Quantity Per Pack	1
EAN/UPC - Product/Case	8718696442098
Numerator - Packs per outer box	1
EAN/UPC - Case	8718696442104

### Dimensional drawing

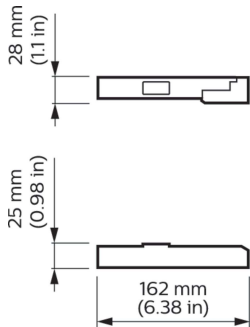


### Product

LRM1011/10 OS Mov Det incl P-Pack CS

# OccuSwitch

## Dimensional drawing



### Product

LRM1011/10 OS Mov Det incl P-Pack CS

