



# F-can (72C)

## F-CAN HID MH BAL 175W M137/152 120/277V FCAN

The Philips Advance line of F-can HID ballasts comes in two dual-voltage configurations for the US and Canadian market. Ballasts for these luminaires are most often encased and potted in fluorescent ballast type cans.

### Product data

General Information		Input Current (Nom)	
ANSI Code	M137-M152(PULSESTART)		1.75/0.75 A A
Lamp Type	175W MH	Input Power (Nom)	205 W
Number of Lamps	1 piece/unit	Rated Lamp Power	175 W
Circuit Type	CWA	<b>Wiring</b>	
Ballast Type	Magnetic HID	Wire Striplength	0.5 mm
Base Model	72C5582	Wire Length by Color	12"
Suitable For Outdoor Use	Yes	Wire Type	Stranded
Ignitor Catalog Number	Inside Can	Remote Wiring Configuration Allowed	Yes
Capacitor Catalog Number	Inside Can	Max Ballast-Lamp Distance Remote Wiring	50'
Automatic Restart	No	Recommended Fuse Value	5/3 A
<b>Operating and Electrical</b>		<b>Mechanical and Housing</b>	
Input Voltage	120/277 V	Housing Material	Metal
Input Frequency	60 Hz	Housing	F-Can
Input Current (Open Circuit)	2.15/0.92 A	Housing Dimensions	14.3 x 2.63 x 3.19
Input Current (Starting)	0.85/0.36 A	<b>Approval and Application</b>	
Input Current (Short Circuit)	0.56-0.85/0.24-0.36 A	Open Circuit Voltage Test (Volts)	270-330 V
Secondary Short Circuit Current	1.55-1.9 A	Approval Marks	CSA certificate UL certificate RoHS Compliant
Constant Wattage Deviation	10%	Temperature Marking	90°C max. case
Ballast Factor (Nom)	1	UL Recognized	No
Power Factor (Nom)	0.90		
Open Circuit Voltage	303 V		

## F-can (72C)

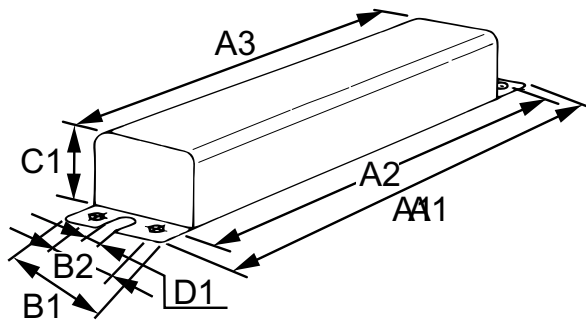
Hipot Test (1 Minute)	1500 V
Hipot Test (2 Seconds)	2500 V
UL Insulation Class	A(105°C)
UL Temperature Code	NA

### Product Data

Order product name	F-CAN HID MH BAL 175W M137/152 120/277V FCAN
--------------------	---

EAN/UPC - Product	781087112052
Order code	913700501531
Numerator - Quantity Per Pack	1
Numerator - Packs per outer box	4
Material Nr. (12NC)	913700501531
Net Weight (Piece)	5.702 kg

### Dimensional drawing



MH BAL 175W M137/152 120/277V FCAN

Product	A1	A2	A3	B1	B2	C1	D1
F-CAN HID 72C5582NP	12 in	13.75 in	13.13 in	3.9 in	2.0 in	2.6 in	0.3 in

