



F-can (72C)

F-CAN HID MH BAL 400W M135/155 120/277V FCAN

The Philips Advance line of F-can HID ballasts comes in two dual-voltage configurations for the US and Canadian market. Ballasts for these luminaires are most often encased and potted in fluorescent ballast type cans.

Product data

General Information		Input Current (Nom)	
ANSI Code	M135-M155(PULSESTART)	Input Current (Nom)	4.1/1.8 A A
Lamp Type	400W MH	Input Power (Nom)	465 W
Number of Lamps	1 piece/unit	Rated Lamp Power	400 W
Circuit Type	CWA	Wiring	
Ballast Type	Magnetic HID	Wire Striplength	0.5 mm
Base Model	72C6182	Wire Length by Color	12"
Suitable For Outdoor Use	Yes	Wire Type	Stranded
Ignitor Catalog Number	Inside Can	Remote Wiring Configuration Allowed	Yes
Capacitor Catalog Number	Inside Can	Max Ballast-Lamp Distance Remote Wiring	50'
Automatic Restart	No	Recommended Fuse Value	10/4 A
Operating and Electrical		Mechanical and Housing	
Input Voltage	120/277 V	Housing Material	Metal
Input Frequency	60 Hz	Housing	F-Can
Input Current (Open Circuit)	3.9/1.7 A	Housing Dimensions	19.2 x 2.63 x 3.19
Input Current (Starting)	2.9/1.3 A	Approval and Application	
Input Current (Short Circuit)	2.2-3.3/0.95-1.45 A	Open Circuit Voltage Test (Volts)	280-340 V
Secondary Short Circuit Current	3.25-4.09 A	Approval Marks	CSA certificate UL certificate RoHS Compliant
Constant Wattage Deviation	10%	Temperature Marking	90°C max. case
Ballast Factor (Nom)	1	UL Recognized	No
Power Factor (Nom)	0.90		
Open Circuit Voltage	310 V		

F-can (72C)

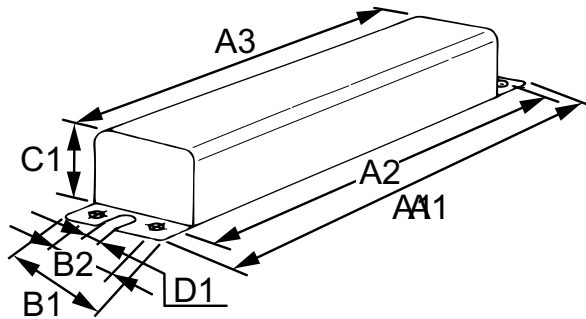
Hipot Test (1 Minute)	1500 V
Hipot Test (2 Seconds)	2500 V
UL Insulation Class	A(105°C)
UL Temperature Code	NA

Product Data

Order product name	F-CAN HID MH BAL 400W M135/155 120/277V FCAN
--------------------	---

EAN/UPC - Product	781087117125
Order code	913700501571
Numerator - Quantity Per Pack	1
Numerator - Packs per outer box	2
Material Nr. (12NC)	913700501571
Net Weight (Piece)	10.102 kg

Dimensional drawing



MH BAL 400W M135/155 120/277V FCAN

Product	A1	A2	A3	B1	B2	C1	D1
F-CAN HID 72C6182NP	12 in	18.63 in	18 in	3.9 in	2.0 in	2.6 in	0.3 in

