



F-can (72C)

F-CAN HID MH BAL 70W M98/143 120/347V FCAN

The Philips Advance line of F-can HID ballasts comes in two dual-voltage configurations for the US and Canadian market. Ballasts for these luminaires are most often encased and potted in fluorescent ballast type cans.

Product data

General Information	
ANSI Code	M98(PULSESTART)
Lamp Type	70W MH
Number of Lamps	1 piece/unit
Circuit Type	HX-HPF
Ballast Type	Magnetic HID
Base Model	72C52C2
Suitable For Outdoor Use	Yes
Ignitor Catalog Number	Inside Can
Capacitor Catalog Number	Inside Can
Automatic Restart	No

Operating and Electrical	
Input Voltage	120/347 V
Input Frequency	60 Hz
Inp. Current (Open Circuit)	1.7/0.7 A
Input Current (Starting)	1.15/0.4 A
Input Current (Short Circuit)	0.5-0.75/0.25-0.4 A
Secondary Short Circuit Current	0.95-1.2 A
Constant Wattage Deviation	10%
Ballast Factor (Nom)	1
Power Factor (Nom)	0.90
Nominal Open Circuit Voltage	255 V
Input Current (Operating) (Nom)	0.85/0.3 A A

Input Power (Nom)	94 W
Rated Lamp Watts	70 W
Wiring	
Wire Striplength	0.5 mm
Wire Length by Color	12"
Wire Type	Stranded
Remote Wiring Configuration Allowed	Yes
Max Ballast-Lamp Distance Remote Wiring	20'
Recommended Fuse Value	5/2 A

Mechanical and Housing	
Housing Material	Metal
Housing	F-Can
Housing Dimensions	11.75 x 2.63 x 3.19

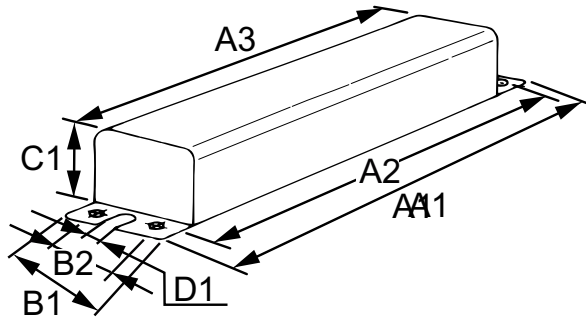
Approval and Application	
Open Circuit Voltage Test (Volts)	215-265 V
Approbation Marks	CSA certificate RoHS Compliant
Temperature Marking	90°C max. case
UL Recognized	No
Hipot Test (1 Minute)	1700 V
Hipot Test (2 Seconds)	2100 V
UL Insulation Class	A(105°C)

F-can (72C)

UL Temperature Code	NA
Product Data	
Order product name	F-CAN HID MH BAL 70W M98/143 120/347V FCAN
EAN/UPC - Product	781087007600
Order code	72C52C2NP

Numerator - Quantity Per Pack	1
Numerator - Packs per outer box	4
Material Nr. (12NC)	913700579809
Net Weight (Piece)	3.970 kg

Dimensional drawing



Product	A1	A2	A3	B1	B2	C1	D1
F-CAN HID 72C52C2NP	12 in	11.13 in	10.5 in	3.9 in	2.0 in	2.6 in	0.3 in

MH BAL 70W M98/143 120/347V FCAN

