



HF-Regulator II for TL5 lamps

HF-R 239 TL5 EII 220-240V 50/60Hz

Flat, lightweight high-frequency electronic regulating ballast, using 1-10V protocol for TL5 fluorescent lamps

Product data

Operating and Electrical	
Input Voltage	220 to 240 V
Line Frequency	50 to 60 Hz
Input frequency	50 to 60 Hz
Earth leakage current (max.)	0.5 mA
Inrush current width	0.40 ms
Inrush current peak (max.)	45 A
Number of products on MCB (16 A type B) (nom.)	12
Wiring	
Connector type input terminals	WAGO 251 universal connector [Suitable for both automatic wiring (ALF and ADS) and manual wiring]
Connector type output terminals	WAGO 251 universal connector [Suitable for both automatic wiring (ALF and ADS) and manual wiring]
Temperature	
Ambient temperature range	-20°C to 50°C

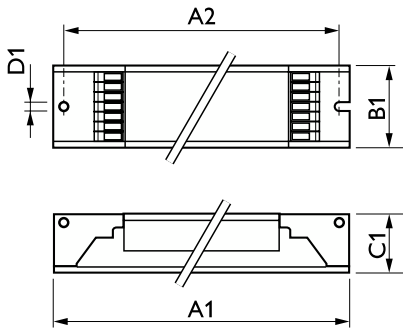
Controls and Dimming	
Control interface	1-10V
Mechanical and Housing	
Housing	L 359x30x22
Approval and Application	
Ingress protection code	IP20 [Finger-protected]
Energy efficiency index	A1 BAT
Safety standard	IEC 61347-2-3
Environmental standard	ISO 14001
Approval marks	CE marking ENEC certificate VDE-EMV certificate

Product Data	
Order product name	HF-R 239 TL5 EII 220-240V 50/60Hz
Full product name	HF-R 239 TL5 EII 220-240V 50/60Hz
Full EOC	871150091474330
Order code	91474330
Material no. (12 NC)	913700633266
Local order code	HFR239TL5EII
SAP numerator – quantity per pack	1

HF-Regulator II for TL5 lamps

EAN/UPC – Product/Case	8711500914743
Numerator – packs per outer box	12
EAN/UPC - Case	8711500914750

Dimensional drawing



Product	D1	C1	A1	A2	B1
HF-R 239 TL5 EII 220-240V 50/60Hz	4.2 mm	22 mm	359 mm	350 mm	30 mm

