



PrimaVision Economy for CDM lamps

HID-PV E 35 /S CDM 220-240V

Single CDM lamp operation, single HID electronic gear – improves cost effectiveness and increases luminaire design flexibility

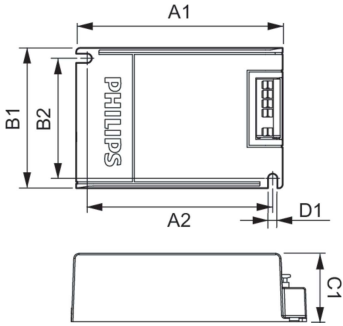
Product data

| Operating and Electrical | |
|---|-----------------|
| Input Voltage | 220 to 240 V |
| Line Frequency | 50 to 60 Hz |
| Input Frequency | 50 to 60 Hz |
| Inrush Current Width | 0.25 ms |
| Inrush Current Peak (Max) | 26 A |
| Number of Products on MCB (16A Type B) (Nom) | 24 |
| Wiring | |
| Cable Length From Device to Lamp | 2 m |
| Connector Type | Insert |
| Temperature | |
| Ambient temperature range | -20 °C to 55 °C |
| T-Case Lifetime (Nom) | 80 °C |
| T-Case Maximum (Max) | 80 °C |
| Mechanical and Housing | |
| Housing | /S |

| Approval and Application | |
|---------------------------------|---|
| Approval Marks | CE marking ENEC certificate VDE certificate |
| Product Data | |
| Order product name | HID-PV E 35 /S CDM 220-240V |
| Full product name | HID-PV E 35 /S CDM 220-240V |
| Full product code | 871829118417100 |
| Order code | 913700680766 |
| Material Nr. (12NC) | 913700680766 |
| Numerator - Quantity Per Pack | 1 |
| EAN/UPC - Product/Case | 8718291184171 |
| Numerator - Packs per outer box | 12 |
| EAN/UPC - Case | 8718291184188 |

PrimaVision Economy for CDM lamps

Dimensional drawing



| Product | D1 | C1 | A1 | A2 | B1 | B2 |
|--------------------------------|--------|---------|----------|---------|---------|---------|
| HID-PV E 35 /S CDM 220-240V | 4.9 mm | 32.2 mm | 109.6 mm | 98.5 mm | 74.4 mm | 63.7 mm |

