



PrimaVision Mini for CDM

HID-PV C 70 /GMI CDM 220-240V 50/60Hz NG

Miniature HID electronic gear for PGJ5 CDM lamps – freeing up the boundaries of creativity and innovation in luminaire design

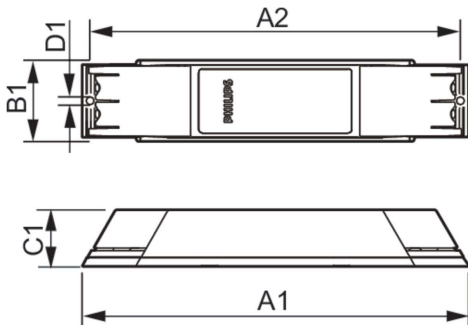
Product data

| Operating and Electrical | |
|--|-----------------|
| Input Voltage | 220 to 240 V |
| Line Frequency | 50 to 60 Hz |
| Input Frequency | 50 to 60 Hz |
| Inrush Current Width | 0.33 ms |
| Inrush Current Peak (Max) | 33 A |
| Number of Products on MCB (16A Type B) (Nom) | 20 |
| Wiring | |
| Cable Length From Device to Lamp | 2 m |
| Connector Type | Insert |
| Temperature | |
| Ambient temperature range | -20 °C to 45 °C |
| T-Case Lifetime (Nom) | 75 °C |
| T-Case Maximum (Max) | 75 °C |
| Mechanical and Housing | |
| Housing | /GMI |

| Approval and Application | |
|---------------------------------|--|
| Approval Marks | F-Marking CE marking ENEC certificate VDE-EMV certificate CB Certificate |
| Product Data | |
| Full product code | 871829120227100 |
| Order product name | HID-PV C 70 /GMI CDM 220-240V 50/60Hz NG |
| Order code | 913700681295 |
| Numerator - Quantity Per Pack | 1 |
| Numerator - Packs per outer box | 6 |
| Material Nr. (12NC) | 913700681295 |
| Full product name | HID-PV C 70 /GMI CDM 220-240V 50/60Hz NG |
| EAN/UPC - Case | 8718291202288 |
| EAN/UPC - Product/Case | 8718291202271 |

PrimaVision Mini for CDM

Dimensional drawing



| Product | D1 | C1 | A1 | A2 | B1 |
|---|--------|---------|--------|--------|---------|
| HID-PV C 70 /GMI CDM 220-240V 50/60Hz NG | 4.8 mm | 34.5 mm | 188 mm | 170 mm | 62.7 mm |

