



# DynaVision Programmable Xtreme for CDO

## HID-DV PROG Xt 50 CDO Q 208-277V

Highly reliable and flexible electronic drivers for CDO lamps; designed to save on energy costs via integrated controls and to reduce maintenance costs thanks to 80,000 hour lifetime and integrated lightning protection. The DynaVision Programmable product family is the perfect basis for any sort of lighting management solution.

### Product data

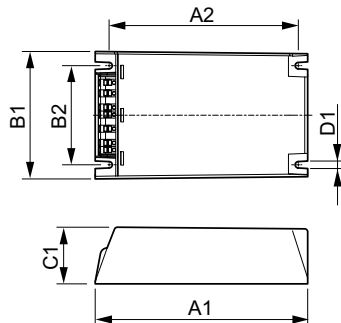
Operating and Electrical		Temperature	
Input Voltage	208-240-277 V	Ambient temperature range	-30°C to 55°C
Line Frequency	50 to 60 Hz	T-case lifetime (nom.)	80 °C
Input frequency	50 to 60 Hz		
Power factor 50% load (min.)	0.95	Controls and Dimming	
Earth leakage current (max.)	0.7 mA	Control interface	PROG
Inrush current width	0.24 ms		
Input current (nom.)	0.27 A	Mechanical and Housing	
Inrush current peak (nom.)	28 A	Housing	Q
Number of products on MCB (16 A type B) (nom.)	11		
Wiring		Approval and Application	
Cable length from device to lamp	10 m	Surge Protection (Common/Differential)	EN61547 (L-L 2 kV, L-G 4 kV), 10 kV TIL
Connector type	WAGO series 804	Safety standard	IEC 607, 609, 926, 928 [No Standard for HID Lamp drivers exists. Requirements in these standards to be used if considered relevant for the product.]
		Environmental standard	ISO 14001

# DynaVision Programmable Xtreme for CDO

Approval marks	F-Marking CE marking ENEC certificate VDE-EMV certificate
<b>Product Data</b>	
Order product name	HID-DV PROG Xt 50 CDO Q 208-277V
Full product name	HID-DV PROG Xt 50 CDO Q 208-277V
Full EOC	871829166916600
Order code	66916600

Material no. (12 NC)	913700692966
Local order code	DVPROGXT50CDOQ
SAP numerator – quantity per pack	1
EAN/UPC – Product/Case	8718291669166
Numerator – packs per outer box	12
EAN/UPC - Case	8718291669173

## Dimensional drawing



Product	D1	C1	A1	A2	B1	B2
HID-DV PROG Xt 50 CDO Q 208-277V	4.5 mm	40.0 mm	150.0 mm	133.6 mm	90.0 mm	70.0 mm

