



DynaVision Programmable Xtreme for SON

HID-DV PROG Xt 70 SON Q 208-277V

Highly reliable and flexible electronic drivers for SON lamps; designed to save energy via integrated controls, and to reduce maintenance costs thanks to 80,000-hour lifetime and integrated lightning protection. The DynaVision Programmable product family is the perfect basis for any sort of lighting management solution.

Product data

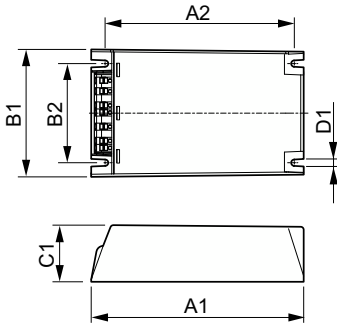
Operating and Electrical		T-Case Lifetime (Nom)		80 °C
Input Voltage	208-240-277 V			
Line Frequency	50 to 60 Hz	Controls and Dimming		
Input Frequency	50 to 60 Hz	Control Interface	PROG	
Earth Leakage Current (Max)	0.7 mA	Mechanical and Housing		
Inrush Current Width	0.24 ms	Housing	Q	
Input Current (Nom)	0.39 A	Approval and Application		
Inrush Current Peak (Nom)	28 A	Surge Protection (Common/Differential)	EN61547 (L-L 2kV, L-G 4kV), 10 kV TIL	
Number of Products on MCB (16A Type B) (Nom)	11	Safety Standard	IEC 607, 609, 926, 928 [No Standard for HID Lamp drivers exists. Requirements in these standards to be used if considered relevant for the product.]	
Wiring		Environmental Standard	ISO 14001	
Cable Length From Device to Lamp	10 m	Approval Marks	F-Marking CE marking ENEC certificate VDE-EMV certificate	
Connector Type	WAGO series 804			
Temperature				
Ambient temperature range	-30 °C to 55 °C			

DynaVision Programmable Xtreme for SON

Product Data	
Order product name	HID-DV PROG Xt 70 SON Q 208-277V
Full product name	HID-DV PROG Xt 70 SON Q 208-277V
Full product code	871829166926500
Order code	913700693466
Material Nr. (12NC)	913700693466

Numerator - Quantity Per Pack	1
EAN/UPC - Product/Case	8718291669265
Numerator - Packs per outer box	12
EAN/UPC - Case	8718291669272

Dimensional drawing



Product	D1	C1	A1	A2	B1	B2
HID-DV PROG Xt 70 SON Q 208-277V	4.5 mm	40.0 mm	150.0 mm	133.6 mm	90.0 mm	70.0 mm

