



PrimaVision Economy for SON

HID-PVE 70 SON Q 208-277V

Highly reliable electronic drivers for SON lamps; the drivers are designed for outdoor use and consume less energy than conventional alternatives.

Product data

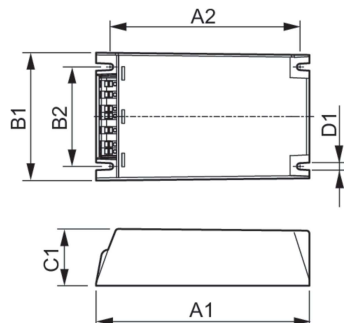
Operating and Electrical	
Input Voltage	208-240-277 V
Line Frequency	50 to 60 Hz
Input Frequency	50 to 60 Hz
Power Factor 50% Load (Min)	0.94
Earth Leakage Current (Max)	0.7 mA
Inrush Current Width	0.42 ms
Input Current (Nom)	0.39 A
Inrush Current Peak (Max)	28 A
Number of Products on MCB (16A Type B) (Nom)	11
Wiring	
Cable Length From Device to Lamp	10 m
Connector Type	WAGO series 804
Temperature	
Ambient temperature range	-30 °C to 55 °C
T-Case Lifetime (Nom)	80 °C
Mechanical and Housing	
Housing	Q

Approval and Application	
Surge Protection (Common/Differential)	EN61547 (L-L 2kV, L-G 4kV) kV
Safety Standard	IEC 607, 609, 926, 928 [No Standard for HID Lamp drivers exists. Requirements in these standards to be used if considered relevant for the product.]
Environmental Standard	ISO 14001
Approval Marks	F-Marking CE marking ENEC certificate VDE-EMV certificate

Product Data	
Order product name	HID-PVE 70 SON Q 208-277V
Full product name	HID-PVE 70 SON Q 208-277V
Full product code	871829170505500
Order code	913700760666
Material Nr. (12NC)	913700760666
Numerator - Quantity Per Pack	1
EAN/UPC - Product/Case	8718291705055
Numerator - Packs per outer box	12
EAN/UPC - Case	8718291705062

PrimaVision Economy for SON

Dimensional drawing



Product

HID-PVE 70 SON Q 208-277V

