



Mark 7 0-10V

MARK 7 0-10V ELE DIMMING BALLAST (3) F32T8 347V

The Mark 7 0-10V series of dimmable electronic ballasts offer maximum versatility by incorporating separate control leads for use with a wide array of controllers, including occupancy sensors, daylight harvesting controls, and building management systems from more than 40 manufacturers. When paired with linear fluorescent and 4-pin compact fluorescent lamps, these ballasts optimize the benefits of such popular sustainable lighting techniques as daylight harvesting, occupancy sensing, and load shedding to satisfy the need for an affordable, flexible and versatile controllable lighting solution.

Product data

| General Information | | Input Current (Nom) | |
|---------------------------------|----------------------|---|----------------|
| Lamp Type | F32T8 | | 0.27 A |
| Number of Lamps | 3 piece/unit | Input Power (Max) | 90 W |
| Ballast Type | Dimmable Fluorescent | Input Power (Min) | 19 W |
| Base Model | GZT3S32SC | Rated Lamp Power | 32 W |
| Suitable For Outdoor Use | Yes | Wiring | |
| Automatic Restart | Yes | Color Input Terminals | No terminals |
| Operating and Electrical | | Color Output Terminals | No terminals |
| Input Voltage | 347 V | Wire Striplength | 0.50/0.375 mm |
| Input Frequency | 50 to 60 Hz | Control Wire Gauge | 18AWG |
| Total Harmonic Distortion USA | 10 % | Lamp Connection | Series |
| Ignition Method | Programmed Start | Wire Length by Color | See data sheet |
| Crestfactor (Nom) | 1.7 | Wire Gauge (Nom) | 18AWG mm |
| Ignition Time (Nom) | 1.5 s | Wire Type | Solid |
| Ballast Factor (Max) | 0.9 | Remote Wiring Configuration Allowed | No |
| Ballast Factor (Min) | 0.05 | Tandem Wiring Configuration Allowed | No |
| Power Factor (Nom) | 0.98 | Through Wiring Configuration Allowed | No |
| | | Max Ballast-Lamp Distance Remote Wiring | No Remote |

Mark 7 0-10V

| | |
|--|--------------|
| Max Ballast-Lamp Distance Tandem Wiring | No Tandem |
| Max Ballast-Lamp Distance Through Wiring | No Through |
| Connector Type | No connector |

Temperature

| | |
|----------------------|-------|
| T-Case Maximum (Nom) | 70 °C |
|----------------------|-------|

Mechanical and Housing

| | |
|--------------------|---------------------|
| Housing Material | Metal |
| Housing | SC |
| Housing Dimensions | 9.5" x 1.7" x 1.18" |

Approval and Application

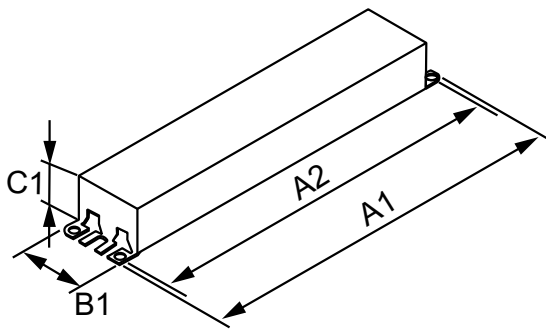
| | |
|-----------------------|---|
| EMC Immunity Standard | FCC Consumer |
| Approval Marks | CSA certificate UL certificate CEE Rated NEMA Premium RoHS Compliant |

| | |
|---------------------|----|
| Hum And Noise Level | A |
| UL Recognized | No |

Product Data

| | |
|---------------------------------|--|
| Order product name | MARK 7 0-10V ELE DIMMING BALLAST (3) F32T8 347V |
| EAN/UPC - Product | 781087109694 |
| Order code | 913701234102 |
| Numerator - Quantity Per Pack | 1 |
| Numerator - Packs per outer box | 20 |
| Material Nr. (12NC) | 913701234102 |
| Net Weight (Piece) | 516.000 g |

Dimensional drawing



ELE DIMMING BALLAST (3) F32T8 347V

| Product | A1 | A2 | B1 | C1 |
|---|--------|---------|--------|---------|
| MARK 7 0-10V ELE DIMMING BALLAST (3) F32T8 347V | 9.5 in | 8.90 in | 1.7 in | 1.18 in |

