



Dynalite User Interfaces

DLPE960

Regardless of the level of integration and range of available functions, a control system requires an intuitive end-user interface, so that users can easily schedule and activate the various control functionalities. Philips Dynalite user interfaces come in a broad range of Keypads, touchscreens and wiring devices – with a rich variety of styles and finishes to match any project budget, level of interactivity, or décor requirements.

Product data

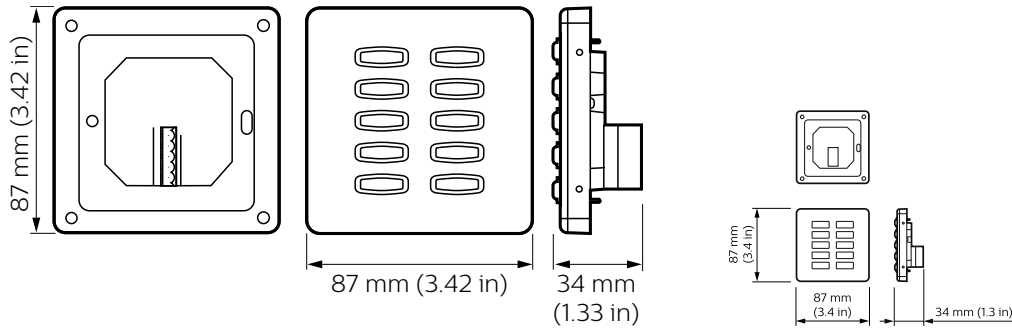
General Information	
Remarks	Please download the Lighting - Product Data Sheet for more information and ordering options
CE mark	CE mark

Product Data	
Order product name	DLPE960
Full product name	DLPE960
Full product code	871016350858000

Order code	913703390309
Material Nr. (12NC)	913703390309
Numerator - Quantity Per Pack	1
EAN/UPC - Product/Case	8710163508580
Numerator - Packs per outer box	1
EAN/UPC - Case	8710163508597

Dynalite User Interfaces

Dimensional drawing



Ø 59 mm (2.3 in)

