



# F-can (72C)

## F-CAN HID MH BAL 400W M59 120/277V FCAN

The Philips Advance line of F-can HID ballasts comes in two dual-voltage configurations for the US and Canadian market. Ballasts for these luminaires are most often encased and potted in fluorescent ballast type cans.

### Product data

General Information	
ANSI Code	M59
Lamp Type	400W MH
Number of Lamps	1 piece/unit
Circuit Type	CWA
Ballast Type	Magnetic HID
Base Model	72C6082
Suitable For Outdoor Use	Yes
Ignitor Catalog Number	NA
Capacitor Catalog Number	Inside Can
Automatic Restart	No

Operating and Electrical	
Input Voltage	120/277 V
Input Frequency	60 Hz
Input Current (Open Circuit)	3.85/1.65 A
Input Current (Starting)	3.25/1.4 A
Input Current (Short Circuit)	2.4-3.6/1.05-1.55 A
Secondary Short Circuit Current	3.2-3.9 A
Constant Wattage Deviation	10%
Ballast Factor (Nom)	1
Power Factor (Nom)	0.90
Open Circuit Voltage	310 V
Input Current (Nom)	3.9/1.7 A A

Input Power (Nom)	460 W
Rated Lamp Power	400 W

Wiring	
Wire Striplength	0.5 mm
Wire Length by Color	12"
Wire Type	Stranded
Remote Wiring Configuration Allowed	Yes
Max Ballast-Lamp Distance Remote Wiring	Determined by AWG used
Recommended Fuse Value	10/5 A

Mechanical and Housing	
Housing Material	Metal
Housing	F-Can
Housing Dimensions	19.2 x 2.63 x 3.19

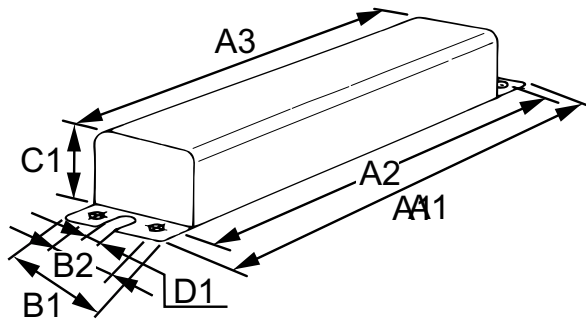
Approval and Application	
Open Circuit Voltage Test (Volts)	280-340 V
Approval Marks	CSA certificate UL certificate RoHS Compliant
Temperature Marking	90°C max. case
UL Recognized	No
Hipot Test (1 Minute)	1600 V
Hipot Test (2 Seconds)	2000 V

## F-can (72C)

UL Insulation Class	A(105°C)
UL Temperature Code	NA
<b>Product Data</b>	
Order product name	F-CAN HID MH BAL 400W M59 120/277V FCAN
EAN/UPC - Product	781087025161

Order code	913710409201
Numerator - Quantity Per Pack	1
Numerator - Packs per outer box	1
Material Nr. (12NC)	913710409201
Net Weight (Piece)	10.293 kg

### Dimensional drawing



MH BAL 400W M59 120/277V FCAN

Product	A1	A2	A3	B1	B2	C1	D1
F-CAN HID MH BAL 400W M59 120/277V FCAN	12 in	18.63 in	18 in	3.9 in	2.0 in	2.6 in	0.3 in

