



# HF-Selectalume II for TL5 lamps

## HF-S 249 TL5 II 220-240V 50/60Hz

HF-Selectalume II is the most cost-effective, reliable, slim and affordable fluorescent solution, with highly disruptive technology for energy saving, system flexibility and unsurpassed performance. The cost-saving HF-Selectalume II has a robust design which meets all relevant international safety and performance standards. HF-Selectalume II is intended for use with indoor lighting fixtures such as spotlights, downlights and recessed luminaires, which are largely used in office, retail, industry, hotel, restaurant and other applications where control devices are installed with occasional On/Off switching activity

### Product data

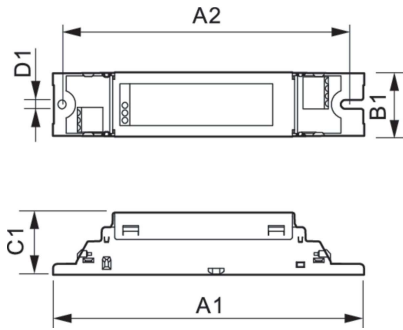
Operating and Electrical		T-Case Lifetime (Nom)		T-Case Maximum (Max)	
Input Voltage	220 to 240 V		75 °C		75 °C
Line Frequency	50 to 60 Hz	<b>Mechanical and Housing</b>			
Input Frequency	50 to 60 Hz	Housing	L 280x30x21		
Earth Leakage Current (Max)	0.5 mA	<b>Approval and Application</b>			
Inrush Current Width	0.35 ms	Ingress protection code	IP20 [Finger-protected]		
Inrush Current Peak (Max)	28 A	Energy Efficiency Index	A2 BAT		
Number of Products on MCB (16A Type B) (Nom)	12	Approval Marks	F-Marking CE marking ENEC certificate CCC certificate C-Tick certificate PSB certification TISI marking SIRIM approval CB Certificate CCC certificate VDE-EMV certificate		
<b>Wiring</b>		<b>Product Data</b>			
Connector Type Input Terminals	WAGO 744 connector	Order product name	HF-S 249 TL5 II 220-240V 50/60Hz		
Connector Type Output Terminals	WAGO 744 connector [Suitable for manual wiring]	Full product name	HF-S 249 TL5 II 220-240V 50/60Hz		
<b>Temperature</b>					
Ambient temperature range	-20 °C to 50 °C				

## HF-Selectalume II for TL5 lamps

Full product code	872790090560100
Order code	913713033566
Material Nr. (12NC)	913713033566
Numerator - Quantity Per Pack	1
EAN/UPC - Product/Case	8711500999368

Numerator - Packs per outer box	12
EAN/UPC - Case	8727900905601

### Dimensional drawing



Product	D1	C1	A1	A2	B1
HF-S 249 TL5 II 220-240V 50/60Hz	4.1 mm	21.5 mm	280.0 mm	265.0 mm	30.0 mm

