



HF-Selectalume II for PL-T/C Strain Relief

HF-S 1/218 PL-T/C II SR 220-240V 50/60Hz

HF-Selectalume II independent version is the most cost-effective, reliable, slim and affordable fluorescent solution, with highly disruptive technology for energy saving, system flexibility and unsurpassed performance. The cost-saving HF-Selectalume II PLTC SR has a robust design which meets all relevant international safety and performance standards. The HF-S II strain relief is optimized mainly for PL-T/C lamps. HF-Selectalume II is intended for use with indoor lighting fixtures such as spotlights, downlights and recessed luminaries, which are largely used in office, retail, industry, hotel, restaurant and other applications.

Product data

Operating and Electrical	
Input Voltage	220 to 240 V
Line Frequency	50 to 60 Hz
Input Frequency	50 to 60 Hz
Earth Leakage Current (Max)	0.5 mA
Inrush Current Width	0.25 ms
Inrush Current Peak (Max)	18 A
Number of Products on MCB (16A Type B) (Nom)	28
Wiring	
Connector Type Input Terminals	WAGO 250 connector [Suitable for manual wiring]
Connector Type Output Terminals	WAGO 250 connector [Suitable for manual wiring]

Temperature	
Ambient temperature range	-25 °C to 50 °C
T-Case Lifetime (Nom)	75 °C
T-Case Maximum (Max)	75 °C

Mechanical and Housing	
Housing	L 125.5x67.8x32.0

Approval and Application	
Ingress protection code	IP20 [Finger-protected]
Energy Efficiency Index	A2 BAT
Approval Marks	CE marking ENEC certificate VDE certificate VDE-EMC marking

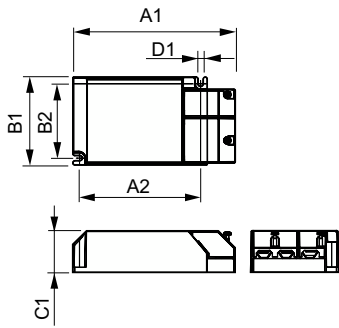
Product Data	
Order product name	HF-S 1/218 PL-T/C II SR 220-240V 50/60Hz
Full product name	HF-S 1/218 PL-T/C II SR 220-240V 50/60Hz

HF-Selectalume II for PL-T/C Strain Relief

Full product code	871829116963500
Order code	16963500
Material Nr. (12NC)	913713035866
Numerator - Quantity Per Pack	1
EAN/UPC - Product/Case	8718291169635

Numerator - Packs per outer box	12
EAN/UPC - Case	8718291169642

Dimensional drawing



Product	D1	C1	A1	A2	B1	B2
HF-S 1/218 PL-T/C II SR 220-240V 50/60Hz	4.0 mm	32.0 mm	125.5 mm	93.5 mm	67.8 mm	57.5 mm

