



HF-Essential for TL5/TL-D

HF-E 418 TL-D 220-240 50/60Hz

Essentially smart and reliable. HF-Essential is the most cost-effective, slim and affordable ballast to reliably operate a fluorescent lamp. It is also the ideal entry-level product for EM system users who want to enjoy the benefits offered by electronic ballasts. The cost-saving and reliable HF-Essential has an energy efficiency class A2, and its robust design meets all relevant international safety and performance standards. HF-Essential is intended for use with indoor lighting fixtures such as recessed luminaires, which are largely used in office, industrial, hotel, restaurant and other applications. The ballast is primarily designed for Indoor application. For outdoor application, the luminaire should be minimum Class II need to be sufficiently protected against water & dust. The installation should also be guard against any lightning surge or any other necessary electrical protection as deemed in such typical installation & application.

Product data

Operating and Electrical	
Input Voltage	220 to 240 V
Line Frequency	50 to 60 Hz
Input Frequency	50 to 60 Hz
Earth Leakage Current (Max)	0.5 mA
Inrush Current Width	0.37 ms
Inrush Current Peak (Max)	20 A
Wiring	
Connector Type Input Terminals	Insert
Connector Type Output Terminals	Insert

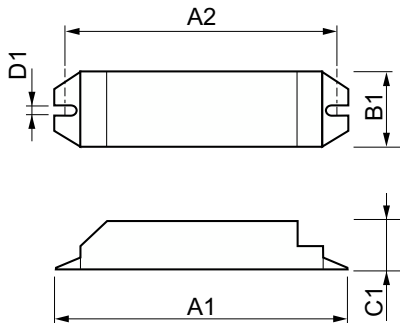
Temperature	
Ambient temperature range	-10 °C to 50 °C
T-Case Lifetime (Nom)	75 °C
T-Case Maximum (Max)	75 °C
Mechanical and Housing	
Housing	L211x40x30
Approval and Application	
Ingress protection code	IP20 [Finger-protected]
Energy Efficiency Index	A2

HF-Essential for TL5/TL-D

Approval Marks	CE marking C-Tick certificate CB Certificate KEMA Keur certificate RoHS Compliant
Product Data	
Order product name	HF-E 418 TL-D 220-240 50/60Hz
Full product name	HF-E 418 TL-D 220-240 50/60Hz
Full product code	871829166877000
Order code	913713039266

Material Nr. (12NC)	913713039266
Numerator - Quantity Per Pack	1
EAN/UPC - Product/Case	8718291668770
Numerator - Packs per outer box	20
EAN/UPC - Case	8718291668787

Dimensional drawing



Product	D1	C1	A1	A2	B1
HF-E 418 TL-D 220-240 50/60Hz	4.2 mm	30.0 mm	211.0 mm	197.0 mm	40.0 mm

