



SPOTONE PAR38

PAR38 80W E27 220-240V SP 1CT/15

Pressed-glass 121 mm diameter reflector lamps of high luminous intensity

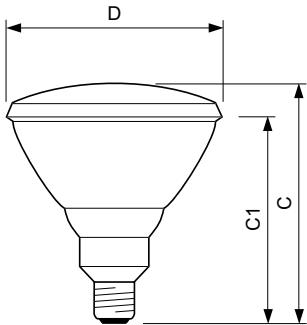
Product data

General Information	
Cap-Base	E27 [E27]
Operating Position	UNIVERSAL [Any or Universal (U)]
Nominal lifetime	2,000 hour(s)
Switching Cycle	8,000
Rated Lifetime (Hours)	2,000 hour(s)
Lighting Technology	Incandescent
Light Technical	
Beam Angle (Nom)	12 degree(s)
Correlated Color Temperature (Nom)	2700 K
Color rendering index (CRI)	100
Luminous Flux in 90° Cone (Rated)	655 lm
Operating and Electrical	
Power Consumption	80.0 W
Starting Time (Nom)	0.0 s
Warm-up time to 60% light	instant full light s
Power Factor (Fraction)	1
Voltage (Nom)	230 V
Voltage (Nom)	230 V

Controls and Dimming	
Dimmable	Yes
Mechanical and Housing	
Bulb Shape	PAR38 [PAR 4.75 inch/121mm]
Approval and Application	
Energy Consumption kWh/1000 h	80 kWh
Product Data	
Order product name	PAR38 80W E27 220-240V SP 1CT/15
Full product name	PAR38 80W E27 220-240V SP 1CT/15
Full product code	871150060037020
Order code	923810244295
Material Nr. (12NC)	923810244295
Numerator - Quantity Per Pack	1
EAN/UPC - Product/Case	8711500600370
Numerator - Packs per outer box	15
EAN/UPC - Case	8710163073422

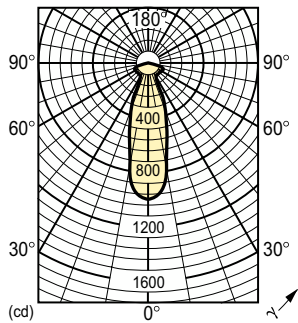
SPOTONE PAR38

Dimensional drawing



Product	D (max)	C (max)
PAR38 80W E27 220-240V SP 1CT/15	123 mm	137 mm

Photometric data



Light Distribution Diagram - PAR38 80W E27 220-240V SP 1CT/15

