



HalogenA PAR38

HalogenA PAR38 100W E27 230V 30D 1CT/15

Mains-voltage halogen reflector that is easy to install instead of conventional reflector lamps, putting your objects in a superior-quality spot light. Provides crisp halogen light over a long lifetime.

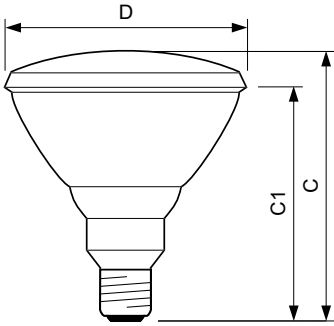
Product data

General Information	
Cap-Base	E27 [E27]
Operating Position	UNIVERSAL [Any or Universal (U)]
Nominal lifetime	2,000 hour(s)
Rated Lifetime (Hours)	2,000 hour(s)
Lighting Technology	Halogen
Light Technical	
Beam Angle (Nom)	30 degree(s)
Correlated Color Temperature (Nom)	2800 K
Color rendering index (CRI)	100
Operating and Electrical	
Power Consumption	100 W
Starting Time (Nom)	0.0 s
Voltage (Nom)	230 V
Voltage (Nom)	230 V

Controls and Dimming	
Dimmable	Yes
Mechanical and Housing	
Bulb Shape	PAR38 [PAR 4.75 inch/121mm]
Product Data	
Order product name	HalogenA PAR38 100W E27 230V 30D 1CT/15
Full product name	HalogenA PAR38 100W E27 230V 30D 1CT/15
Full product code	871150088743600
Order code	924712844283
Material Nr. (12NC)	924712844283
Numerator - Quantity Per Pack	1
EAN/UPC - Product/Case	8711500887436
Numerator - Packs per outer box	15
EAN/UPC - Case	8711500887450

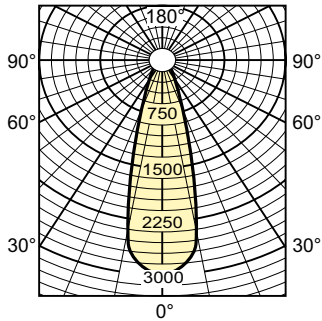
HalogenA PAR38

Dimensional drawing



Product	D (max)	C (max)	C1 (max)
HalogenA PAR38 100W E27 230V 30D 1CT/15	123.5 mm	136 mm	123 mm

Photometric data



Light Distribution Diagram - HalogenA PAR38 100W E27 230V 30D 1CT/15

