



# Essential MV MR16 Alu

## ESS MR16 Alu 50W GU10 240V 36D 2CT/6

The Essential MV MR16 Alu is part of the Philips "Value for Money" ranges. It is ideal for professional end-users looking for accent light - without a transformer - to create contrast in shops, hotels and restaurants.

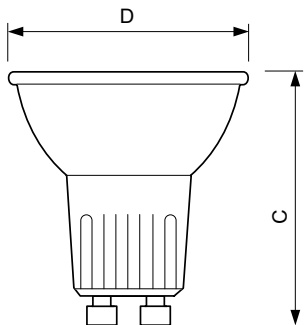
### Product data

General Information	
Cap-Base	GU10 [GU10]
Operating Position	UNIVERSAL [Any or Universal (U)]
Nominal lifetime	2,000 hour(s)
Rated Lifetime (Hours)	2,000 hour(s)
Lighting Technology	Halogen
Light Technical	
Beam Angle (Nom)	36 degree(s)
Correlated Color Temperature (Nom)	2800 K
Color rendering index (CRI)	100
Operating and Electrical	
Power Consumption	50 W
Starting Time (Nom)	0.0 s
Voltage (Nom)	240 V
Voltage (Nom)	240 V
Controls and Dimming	
Dimmable	Yes

Mechanical and Housing	
Bulb Finish	Clear
Bulb Shape	MR16 [2inch/50mm]
Product Data	
Order product name	ESS MR16 Alu 50W GU10 240V 36D 2CT/6
Full product name	ESS MR16 Alu 50W GU10 240V 36D 2CT/6
Full product code	871829119530600
Order code	925644345504
Material Nr. (12NC)	925644345504
Numerator - Quantity Per Pack	1
EAN/UPC - Product/Case	8718291195306
Numerator - Packs per outer box	6
EAN/UPC - Case	8718291195313

## Essential MV MR16 Alu

### Dimensional drawing



Product	D (max)	C (max)
ESS MR16 Alu 50W GU10 240V 36D 2CT/6	51 mm	51 mm

