



Essential MV MR16 Alu

ESS MR16 ESS 50W GU10 240V 60D 2PF/6

The Essential MV MR16 Alu is part of the Philips "Value for Money" ranges. It is ideal for professional end-users looking for accent light - without a transformer - to create contrast in shops, hotels and restaurants.

Product data

General Information	
Cap-Base	GU10 [GU10]
Operating Position	UNIVERSAL [Any or Universal (U)]
Nominal lifetime	2,000 h
Rated Lifetime (Hours)	2,000 h
Lighting Technology	Halogen

Light Technical	
Beam Angle (Nom)	60 degree(s)
Correlated Color Temperature (Nom)	2700 K
Color rendering index (CRI)	100

Operating and Electrical	
Power Consumption	50 W
Starting Time (Nom)	0.0 s
Voltage (Nom)	240 V
Voltage (Nom)	240 V

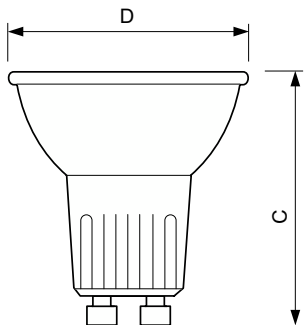
Controls and Dimming	
Dimmable	Yes

Mechanical and Housing	
Bulb Finish	Clear
Bulb Shape	MR16 [2inch/50mm]

Product Data	
Order product name	ESS MR16 ESS 50W GU10 240V 60D 2PF/6
Full product name	ESS MR16 ESS 50W GU10 240V 60D 2PF/6
Full product code	871150099376201
Local code description	ESSGU1050W
Order code	925649245501
Material Nr. (12NC)	925649245501
Local order code	ESSGU1050W
Numerator - Quantity Per Pack	1
EAN/UPC - Product/Case	8711500993762
Numerator - Packs per outer box	6
EAN/UPC - Case	8718291228080

Essential MV MR16 Alu

Dimensional drawing



Product	D (max)	C (max)
ESS MR16 ESS 50W GU10 240V 60D 2PF/6	50.7 mm	46 mm

