

TUV T5

TUV 36T5 SP NO/32

TUV T5 lamps are single- or double-ended UVC (germicidal) lamps used in professional water and air disinfection units. The small 16 mm diameter of the lamp allows for a small system design and design flexibility. TUV T5 lamps offer constant UV output over their complete lifetime, for maximum security of disinfection and high system efficacy.

Warnings and Safety

- A lamp breaking is extremely unlikely to have any impact on your health. If a lamp breaks, ventilate the room for 30 minutes and remove the parts, preferably with gloves. Put them in a sealed plastic bag and take it to your local waste facilities for recycling. Do not use a vacuum cleaner.
- A lamp breaking is extremely unlikely to have any impact on your health. If a lamp breaks, ventilate the room for 30 minutes and remove the parts, preferably with gloves. Put them in a sealed plastic bag and take it to your local waste facilities for recycling. Do not use a vacuum cleaner.
- DANGER: Risk Group 3 Ultra Violet product. These lamps emit high-power UV radiation that can cause severe injury to skin and eyes. Avoid eye and skin exposure to unshielded product. Use only in an enclosed environment which shields users from the radiation.
- DANGER: Risk Group 3 Ultra Violet product. These lamps emit high-power UV radiation that can cause severe injury to skin and eyes. Avoid eye and skin exposure to unshielded product. Use only in an enclosed environment which shields users from the radiation.

Product data

General Information	
Cap-Base	SINGLEPIN [Single Pin]
Useful Life (Nom)	9,000 hour(s)
Light Technical	
Color Code	TUV
Color Designation	- [Not Specified]
Depreciation at Useful Lifetime	20 %

Arc Length O (Nom)	762 mm
Operating and Electrical	
Power Consumption	40 W
Lamp Current (Nom)	0.425 A
Voltage (Nom)	97 V
Voltage (Nom)	97 V

TUV T5

Mechanical and Housing

Bulb Shape	T16 [T 16mm]
------------	--------------

Approval and Application

Mercury (Hg) Content (Nom)	3.0 mg
----------------------------	--------

UV

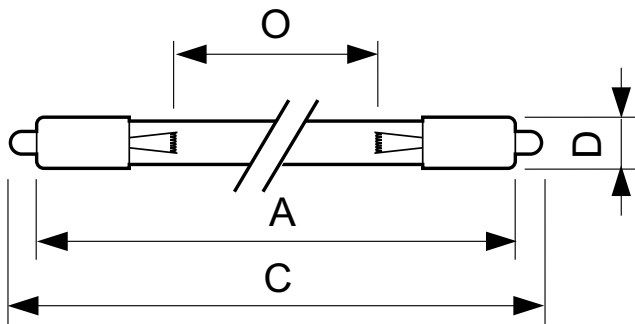
UV-C Radiation at 100 hr	14.8 W
--------------------------	--------

Product Data

Order product name	TUV 36T5 SP NO/32
--------------------	-------------------

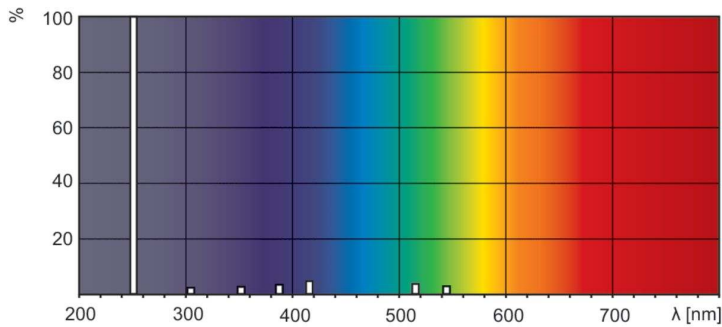
Full product name	TUV 36T5 SP NO/32
Full product code	871150064036999
Order code	927970004099
Material Nr. (12NC)	927970004099
Local order code	9279-700-04099
Numerator - Quantity Per Pack	1
EAN/UPC - Product/Case	8711500640369
Numerator - Packs per outer box	32
EAN/UPC - Case	8711500640376

Dimensional drawing



Product	D (max)	O	C (max)	A (max)
TUV 36T5 SP NO/32	18.6 mm	762 mm	863.9 mm	845.4 mm

Photometric data



Spectral Power Distribution Colour - TUV 36T5 SP NO/32

