



MASTERCcolour CDM-T Evolution

MC CDM-T Evolution 70W/930 G12

Single-ended, highest-efficiency, longest-life Ceramic Metal Halide discharge lamp producing crisp white sparkling light with high colour rendering

Warnings and Safety

- Use only in a totally enclosed luminaire, even during testing (IEC61167, IEC62035, IEC60598)
- The luminaire must be able to contain hot lamp parts if the lamp ruptures
- Use only with electronic control gear
- The vast majority of drivers are fully compatible with CDM Evolution lamps. However, best performance is guaranteed with Philips drivers.
- Control gear must include end-of-life protection (IEC61167, IEC 62035)
- CDM Evolution lamps are designed to comply with IEC standards
- A lamp breaking is extremely unlikely to have any impact on your health. If a lamp breaks, ventilate the room for 30 minutes and remove the parts, preferably with gloves. Put them in a sealed plastic bag and take it to your local waste facilities for recycling. Do not use a vacuum cleaner.

Product data

General Information		Correlated Color Temperature (Nom) 3000 K	
Cap-Base	G12 [G12]	Luminous Efficacy (rated) (Nom)	120 lm/W
Operating Position	VBU/VBD60 [Vertical or Base Up/Base Down +/-60D]	Color rendering index (CRI)	90
Life to 50% Failures (Nom)	20,000 hour(s)	Arc Length O (Nom)	9 mm
Light Technical		Operating and Electrical	
Color Code	930 [CCT of 3000K]	Power Consumption	73.0 W
Color Designation	Warm White (WW)	Voltage (Nom)	96 V
Chromaticity Coordinate X (Nom)	0.426	Voltage (Nom)	96 V
Chromaticity Coordinate Y (Nom)	0.388		

MASTERC colour CDM-T Evolution

Controls and Dimming

Dimmable	No
----------	----

Mechanical and Housing

Bulb Finish	Clear
Bulb Shape	T19 [T 19mm]

Approval and Application

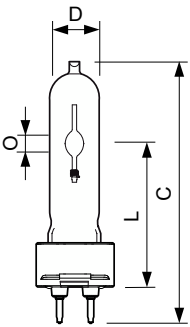
Mercury (Hg) Content (Nom)	6.6 mg
Energy Consumption kWh/1000 h	80 kWh

Product Data

Order product name	MC CDM-T Evolution 70W/930 G12
--------------------	--------------------------------

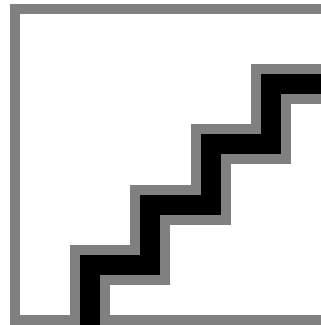
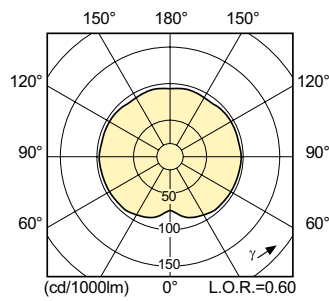
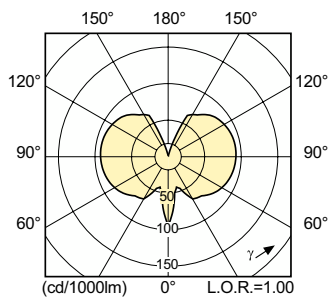
Full product name	MC CDM-T Evolution 70W/930 G12
Full product code	871829171376000
Order code	928061705131
Material Nr. (12NC)	928061705131
Numerator - Quantity Per Pack	1
EAN/UPC - Product/Case	8718291713760
Numerator - Packs per outer box	12
EAN/UPC - Case	8718291713777

Dimensional drawing



Product	D (max)	O	L (min)	L (max)	L	C (max)
MC CDM-T Evolution 70W/930 G12	20 mm	9 mm	55 mm	57 mm	56 mm	103 mm

Photometric data

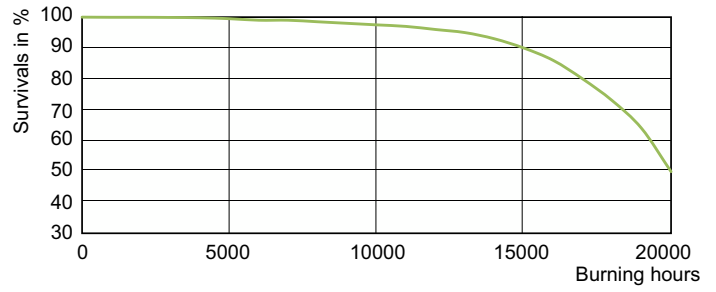
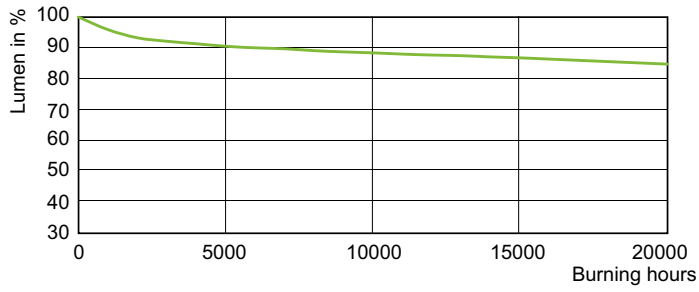


Light Distribution Diagram - MC CDM-T Evolution 70W/930 G12

Spectral Power Distribution Colour - MC CDM-T Evolution 70W/930 G12

MASTERC colour CDM-T Evolution

Lifetime



Lumen Maintenance Diagram - MC CDM-T Evolution 70W/930 G12

Life Expectancy Diagram - MC CDM-T Evolution 70W/930 G12

