



MASTER CosmoWhite CPO-TW & CPO-TW Xtra

MASTER CosmoWhite CPO-TW Xtra 90W/728 PGZ12

New-generation ceramic metal halide lamps for outdoor lighting with white light, using a new lamp base and clear quartz outer bulb

Warnings and Safety

- Use only in totally enclosed luminaire, even during testing (IEC61167, IEC 62035, IEC60598)
- The luminaire must be able to contain hot lamp parts if the lamp ruptures
- Use only with electronic control gear
- Control gear must include end-of-life protection (IEC61167, IEC 62035)
- A lamp breaking is extremely unlikely to have any impact on your health. If a lamp breaks, ventilate the room for 30 minutes and remove the parts, preferably with gloves. Put them in a sealed plastic bag and take it to your local waste facilities for recycling. Do not use a vacuum cleaner.

Product data

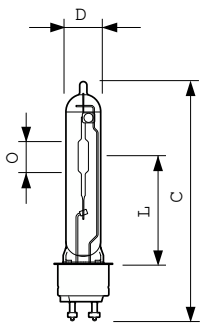
General Information		Chromaticity Coordinate X (Nom)		0.447
Cap-Base	PGZ12	Chromaticity Coordinate Y (Nom)		0.4
Operating Position	UNIVERSAL [Any or Universal (U)]	Correlated Color Temperature (Nom)		2800 K
Flux measurement reference	Sphere	Luminous Efficacy (rated) (Nom)		120 lm/W
Life to 50% Failures (Nom)	32,000 hour(s)	Color rendering index (CRI)		70
		Arc Length O (Nom)		18 mm
Light Technical		Operating and Electrical		
Color Code	728 [CCT of 2800K]	Power Consumption	90.0 W	
Luminous Flux	10,800 lm	Voltage (Nom)	92 V	
Color Designation	White (WH)			

MASTER CosmoWhite CPO-TW & CPO-TW Xtra

Voltage (Nom)	92 V
Controls and Dimming	
Dimmable	Yes
Mechanical and Housing	
Bulb Finish	Clear
Bulb Shape	T19
Approval and Application	
Energy Efficiency Class	E
Mercury (Hg) Content (Max)	3 mg
Mercury (Hg) Content (Nom)	3.0 mg
Energy Consumption kWh/1000 h	90 kWh
EPREL Registration Number	473351

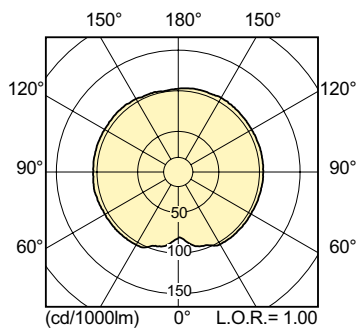
Product Data	
Order product name	MST CosmoWh CPO-TW Xtra 90W/728 PGZ12
Full product name	MASTER CosmoWhite CPO-TW Xtra 90W/728 PGZ12
Full product code	87115002112175
Order code	21121715
Material Nr. (12NC)	928093505127
Numerator - Quantity Per Pack	1
EAN/UPC - Product/Case	8711500211217
Numerator - Packs per outer box	12
EAN/UPC - Case	8711500211224

Dimensional drawing

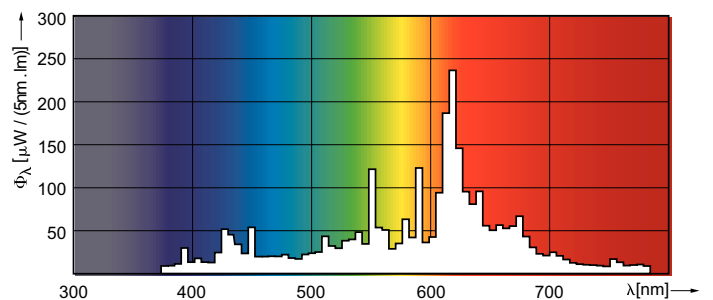


Product	D (max)	D	O	L	C (max)
MST CosmoWh CPO-TW Xtra 90W/728 PGZ12	20 mm	19 mm	18 mm	66 mm	143 mm

Photometric data



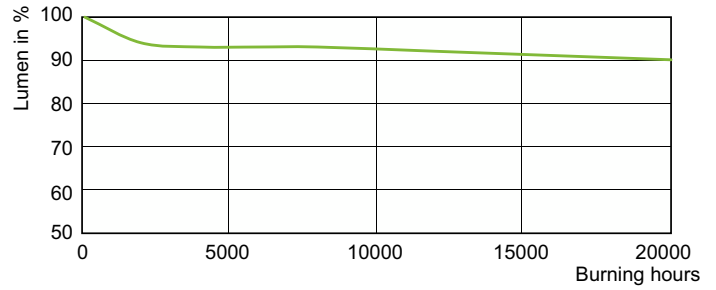
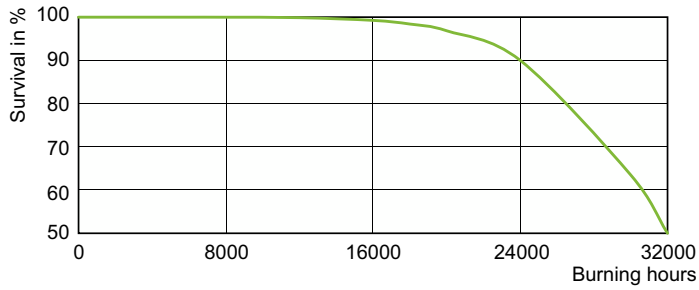
Light Distribution Diagram - MST CosmoWh CPO-TW Xtra 90W/728 PGZ12



Spectral Power Distribution Colour - MST CosmoWh CPO-TW Xtra 90W/728 PGZ12

MASTER CosmoWhite CPO-TW & CPO-TW Xtra

Lifetime



Life Expectancy Diagram - MST CosmoWh CPO-TW Xtra 90W/728 PGZ12

Lumen Maintenance Diagram - MST CosmoWh CPO-TW Xtra 90W/728 PGZ12

