



# MASTER CityWhite CDO-ET

## MASTER CityWhite CDO-ET Plus 70W/828 E27

Ceramic metal halide lamp, with opalized ovoid outer bulb shape, used in outdoor offering pleasant white light

### Warnings and Safety

- Use only in totally enclosed luminaire, even during testing (IEC61167, IEC 62035, IEC60598)
- The luminaire must be able to contain hot lamp parts if the lamp ruptures
- Lamps may use electronic or electromagnetic control gear
- Control gear must include end-of-life protection (IEC61167, IEC 62035)
- Warm restart time can be up to 15 minutes; T15 ignitors therefore advised
- A lamp breaking is extremely unlikely to have any impact on your health. If a lamp breaks, ventilate the room for 30 minutes and remove the parts, preferably with gloves. Put them in a sealed plastic bag and take it to your local waste facilities for recycling. Do not use a vacuum cleaner.

### Product data

General Information		Luminous Efficacy (rated) (Nom)	
Cap-Base	E27		99 lm/W
Operating Position	UNIVERSAL [Any or Universal (U)]	Color rendering index (CRI)	84
Flux measurement reference	Sphere	<b>Operating and Electrical</b>	
Life to 50% Failures (Nom)	27,000 hour(s)	Power Consumption	71.0 W
<b>Light Technical</b>		Voltage (Nom)	83 V
Color Code	828 [CCT of 2800K]	Voltage (Nom)	83 V
Luminous Flux	7,030 lm	<b>Controls and Dimming</b>	
Color Designation	Warm White (WW)	Dimmable	Yes
Chromaticity Coordinate X (Nom)	0.447	<b>Mechanical and Housing</b>	
Chromaticity Coordinate Y (Nom)	0.4	Bulb Finish	Coated glass
Correlated Color Temperature (Nom)	2800 K		

# MASTER CityWhite CDO-ET

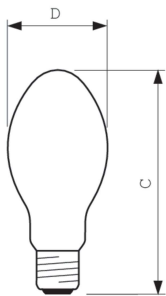
Bulb Shape	B70
<b>Approval and Application</b>	
Energy Efficiency Class	F
Mercury (Hg) Content (Max)	7.8 mg
Mercury (Hg) Content (Nom)	7.8 mg
Energy Consumption kWh/1000 h	71 kWh
EPREL Registration Number	473398

## Product Data

Order product name	MASTER CityWh CDO-ET Plus 70W/828 E27
--------------------	---------------------------------------

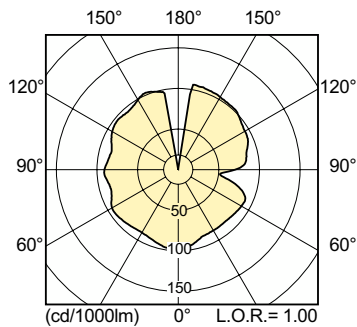
Full product name	MASTER CityWhite CDO-ET Plus 70W/828 E27
Full product code	871829115875200
Order code	15875200
Material Nr. (12NC)	928154708835
Numerator - Quantity Per Pack	1
EAN/UPC - Product/Case	8718291158752
Numerator - Packs per outer box	24
EAN/UPC - Case	8718291158769

## Dimensional drawing

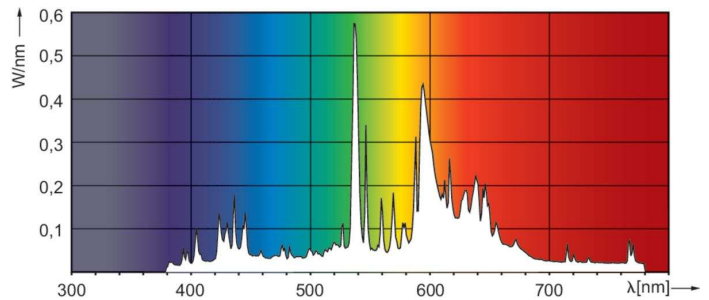


Product	D (max)	C (max)
MASTER CityWh CDO-ET Plus 70W/828 E27	71 mm	156 mm

## Photometric data



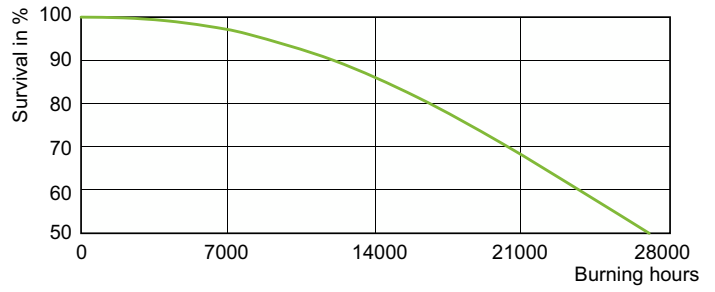
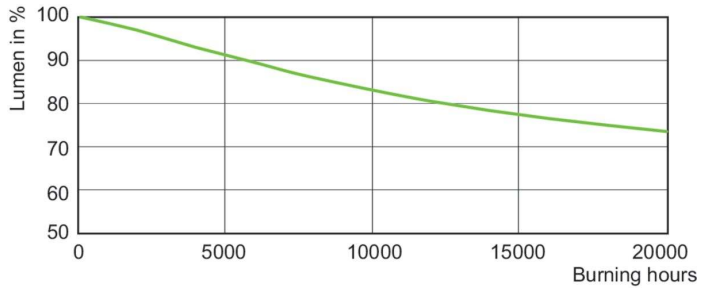
Light Distribution Diagram - MASTER CityWh CDO-ET Plus 70W/828 E27



Spectral Power Distribution Colour - MASTER CityWh CDO-ET Plus 70W/828 E27

# MASTER CityWhite CDO-ET

## Lifetime



Lumen Maintenance Diagram - MASTER CityWh CDO-ET Plus 70W/828 E27

Life Expectancy Diagram - MASTER CityWh CDO-ET Plus 70W/828 E27

