



# MASTERColour CDM-TC Elite

## MASTERC CDM-TC Elite 35W/942 G8.5 1CT

Compact, single-ended, very high-efficiency, long-life ceramic metal-halide discharge lamp producing crisp white sparkling light with high color rendering

### Warnings and Safety

- Use only in totally enclosed luminaire, even during testing (IEC61167, IEC 62035, IEC60598)
- The luminaire must be able to contain hot lamp parts if the lamp ruptures
- Use only with electronic control gear
- Control gear must include end-of-life protection (IEC61167, IEC 62035)
- A lamp breaking is extremely unlikely to have any impact on your health. If a lamp breaks, ventilate the room for 30 minutes and remove the parts, preferably with gloves. Put them in a sealed plastic bag and take it to your local waste facilities for recycling. Do not use a vacuum cleaner.

### Product data

General Information		Arc Length O (Nom)	
Cap-Base	G8.5	5.2 mm	
Operating Position	UNIVERSAL [Any or Universal (U)]	Operating and Electrical	
Life to 50% Failures (Nom)	15,000 hour(s)	Power Consumption	39.1 W
Light Technical		Voltage (Nom)	91 V
Color Code	942 [CCT of 4200K]	Voltage (Nom)	91 V
Color Designation	Cool White (CW)	Controls and Dimming	
Chromaticity Coordinate X (Nom)	0.371	Dimmable	No
Chromaticity Coordinate Y (Nom)	0.366	Mechanical and Housing	
Correlated Color Temperature (Nom)	4200 K	Bulb Finish	Clear
Luminous Efficacy (rated) (Nom)	97 lm/W	Bulb Shape	T14
Color rendering index (CRI)	90		

# MASTERC colour CDM-TC Elite

## Approval and Application

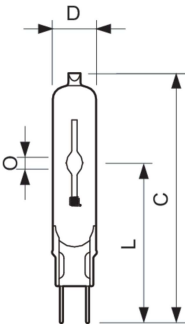
Mercury (Hg) Content (Nom)	4.9 mg
Energy Consumption kWh/1000 h	43 kWh

## Product Data

Order product name	MASTERC CDM-TC Elite 35W/942 G8.5 1CT
Full product name	MASTERC CDM-TC Elite 35W/942 G8.5 1CT
Full product code	871869648469200

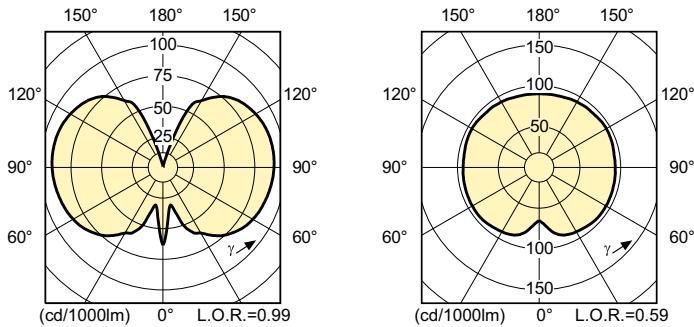
Order code	928193805129
Material Nr. (12NC)	928193805129
Numerator - Quantity Per Pack	1
EAN/UPC - Product/Case	8718696484692
Numerator - Packs per outer box	12
EAN/UPC - Case	8718696484708

## Dimensional drawing



Product	D (max)	O	L (min)	L (max)	L	C (max)
MASTERC CDM-TC Elite 35W/942 G8.5 1CT	15 mm	5.2 mm	51 mm	53 mm	52 mm	85 mm

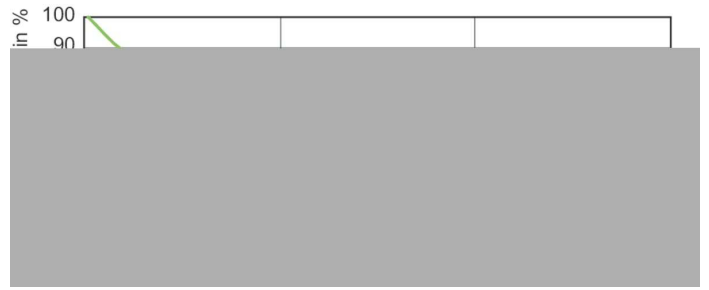
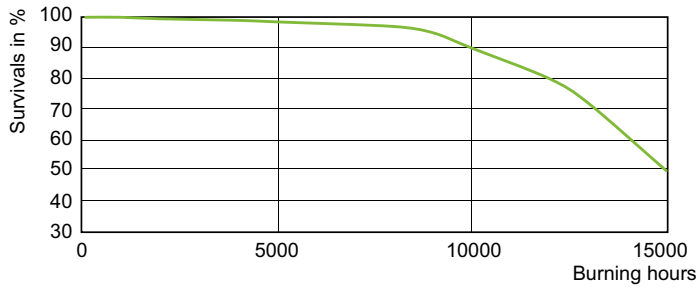
## Photometric data



Light Distribution Diagram - MASTERC CDM-TC Elite 35W/942 G8.5 1CT

# MASTERC colour CDM-TC Elite

## Lifetime



Life Expectancy Diagram - MASTERC CDM-TC Elite 35W/942 G8.5 1CT

Lumen Maintenance Diagram - MASTERC CDM-TC Elite 35W/942 G8.5 1CT

