



Christie digital cinema projectors

XDC 2000 C

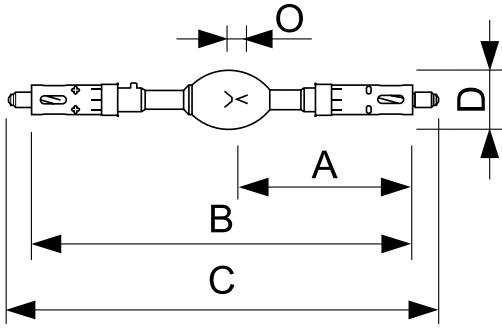
Digital Xenon Cinema C-type lamps are ideal for today's demanding 3D and 2D digital cinema presentations. They are especially designed for Christie projectors. There is a choice of four power ratings in the C-type Digital Cinema Xenon lamps range: 2000W, 3000W, 4500W, or 6000W. There is also a choice of three power ratings in the CH-type Digital Helios lamps range: 2000W, 3000W, and 4200W power ratings. All these lamps produce the very high light output needed to maximize screen brightness and enhance the dramatic effect for the viewer. These long-life digital lamps also provide constant color temperature characteristics, and meet all of the stringent arc-stability requirements for consistent customer satisfaction. In addition to C-type Digital Cinema Xenon lamps there are B-, N-, S-, and TA-type Digital Cinema Xenon lamps. These are all individually customized per projector, so there is a different, perfect-fitting lamp for each projector model to ensure optimized projector performance.

Product data

General Information		Full product name		XDC 2000 C
Operating Position	P30 [p30]	Full product code	872790030131100	
Nominal lifetime	2,400 hour(s)	Order code	928413306301	
Operating and Electrical		Material Nr. (12NC)	928413306301	
Power Consumption	2,000 W	Numerator - Quantity Per Pack	1	
Lamp Current (Nom)	80 A	EAN/UPC - Product/Case	8727900301311	
Voltage (Nom)	25 V	Numerator - Packs per outer box	1	
Voltage (Nom)	25 V	EAN/UPC - Case	8727900301311	
Product Data				
Order product name	XDC 2000 C			

Christie digital cinema projectors

Dimensional drawing



Product	O	D	B (max)	C (max)	A
XDC 2000 C	4.4 mm	55 mm	350 mm	403 mm	161.5 mm

