

# NEC digital cinema projectors

## XDC 4500 N

Digital Xenon Cinema N-type lamps are ideal for today's demanding 3D and 2D digital cinema presentations. They are especially designed for NEC projectors. There is a choice of three power ratings in the N-type Digital Cinema Xenon lamps range: 4000W, 4500W or 6000W. There is also a choice of three power ratings in the NH-type Digital Helios lamps range: 2000W, 300W, and 4200W. All these lamps produce the very high light output needed to maximize screen brightness and enhance the dramatic effect for the viewer. These long-life digital lamps also provide constant color temperature characteristics, and meet all of the stringent arc-stability requirements for consistent customer satisfaction. In addition to N-type Digital Cinema Xenon lamps there are B-, C-, S-, and TA-type Digital Cinema Xenon lamps. These are all individually customized per projector, so there is a different, perfect-fitting lamp for each projector model to ensure optimized projector performance.

### Product data

General Information	
Operating Position	P15 [Parallel +/-15D or Horizontal(HOR)]
Nominal lifetime	900 hour(s)

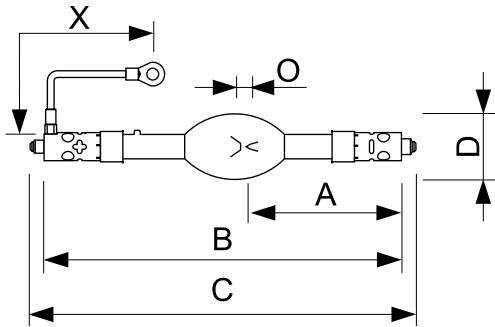
Operating and Electrical	
Power Consumption	4,500 W
Lamp Current (Nom)	140 A
Voltage (Nom)	33 V
Voltage (Nom)	33 V

Product Data	
Order product name	XDC 4500 N

Full product name	XDC 4500 N
Full product code	872790030214100
Order code	30214100
Material Nr. (12NC)	928415406201
Numerator - Quantity Per Pack	1
EAN/UPC - Product/Case	8727900302141
Numerator - Packs per outer box	1
EAN/UPC - Case	8727900302141

## NEC digital cinema projectors

### Dimensional drawing



Product	O	D	X	B (max)	C (max)	A
XDC 4500 N	6.0 mm	70 mm	220 mm	387 mm	425 mm	171.5 mm

