

# Barco digital cinema projectors

## XDC 4500 B

Digital Xenon Cinema B-type lamps are ideal for today's demanding 3D and 2D digital cinema presentations. They are especially designed for Barco projectors. There is a choice of three power ratings in the B-type Digital Xenon Cinema lamps range: 3000W, 4000W, or 6500W. There is also a choice of three power ratings in the BH-type Digital Helios lamps: 2000W, 3000W, and 4200W power ratings. All these lamps produce the very high light output needed to maximize screen brightness and enhance the dramatic effect for the viewer. These long-life digital lamps also provide constant color temperature characteristics, and meet all of the stringent arc-stability requirements for consistent customer satisfaction. In addition to B-type Digital Cinema Xenon lamps there are C-, N-, S-, and TA-type Digital Cinema Xenon lamps. These are all individually customized per projector, so there is a different, perfect-fitting lamp for each projector model to ensure optimized projector performance.

### Product data

General Information	
Operating Position	P15 [Parallel +/-15D or Horizontal(HOR)]
Nominal lifetime	1,000 hour(s)

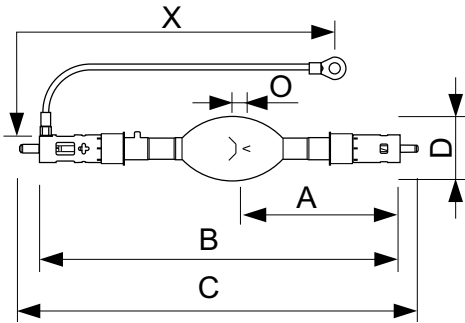
Operating and Electrical	
Power Consumption	4,500 W
Lamp Current (Nom)	145 A
Voltage (Nom)	30 V
Voltage (Nom)	30 V

Product Data	
Full product code	871829124947400

Order product name	XDC 4500 B
Order code	928417706301
Numerator - Quantity Per Pack	1
Numerator - Packs per outer box	1
Material Nr. (12NC)	928417706301
Full product name	XDC 4500 B
EAN/UPC - Case	8718291249474
EAN/UPC - Product/Case	8718291249474

## Barco digital cinema projectors

### Dimensional drawing



Product	O	D	X	B (max)	C (max)	A
XDC 4500 B	6.0 mm	60 mm	152 mm	370 mm	410 mm	171 mm

