



# MHN-TD



## MHN-TD 70W/730 RX7s 1CT/12

Double-envelope, single- or double-ended Metal halide lamps

### Warnings and Safety

- Use only in totally enclosed luminaire, even during testing (IEC61167, IEC 62035, IEC60598)
- The luminaire must be able to contain hot lamp parts if the lamp ruptures
- Control gear must include end-of-life protection (IEC61167, IEC 62035)
- A lamp breaking is extremely unlikely to have any impact on your health. If a lamp breaks, ventilate the room for 30 minutes and remove the parts, preferably with gloves. Put them in a sealed plastic bag and take it to your local waste facilities for recycling. Do not use a vacuum cleaner.

### Product data

General Information	
Cap base	RX7S [RX7s]
Operating position	P45 [Parallel +/-45D or Horizontal(HOR)]
Flux measurement reference	Sphere
Life to 50% failures (nom.)	9,000 h
Light Technical	
Colour Code	730 [CCT of 3000K]
Luminous Flux	5,800 lm
Colour designation	Warm White (WW)
Chromaticity Coordinate X (Nom)	0.434
Chromaticity Coordinate Y (Nom)	0.398
Correlated Colour Temperature	3000 K
Luminous efficacy (rated) (min.)	67 lm/W
Luminous efficacy (rated) (nom.)	75 lm/W
Colour rendering index (CRI)	65
Arc Length O (Nom)	7.7 mm

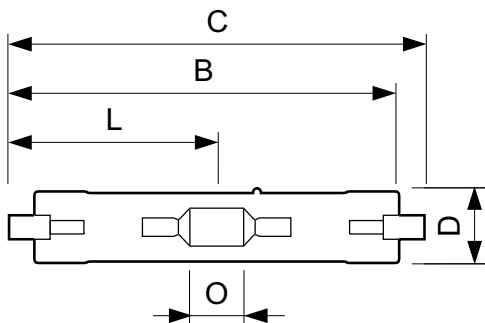
Operating and Electrical	
Power Consumption	77.0 W
Voltage (nom.)	90 V
Voltage (nom.)	90 V
Controls and Dimming	
Dimmable	No
Mechanical and Housing	
Lamp Finish	Clear
Bulb shape	TD
Approval and Application	
Energy Efficiency Class	G
Mercury (Hg) content (max.)	13.4 mg
Mercury (Hg) content (nom.)	13.4 mg
Energy consumption kWh/1,000 hours	77 kWh

# MHN-TD

EPREL registration number	473286
<b>Product Data</b>	
Order product name	MHN-TD 70W/730 RX7s 1CT/12
Full product name	MHN-TD 70W/730 RX7s 1CT/12
Full EOC	871829121530100
Order code	21530100
Material no. (12 NC)	928482400092

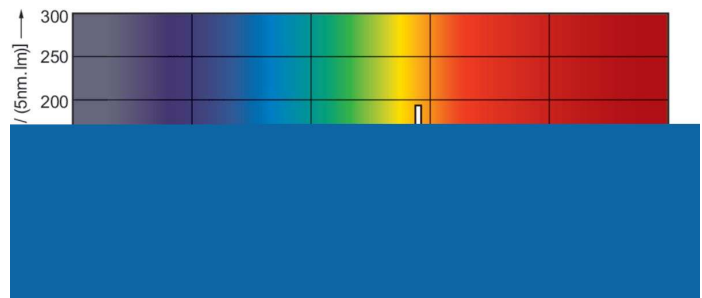
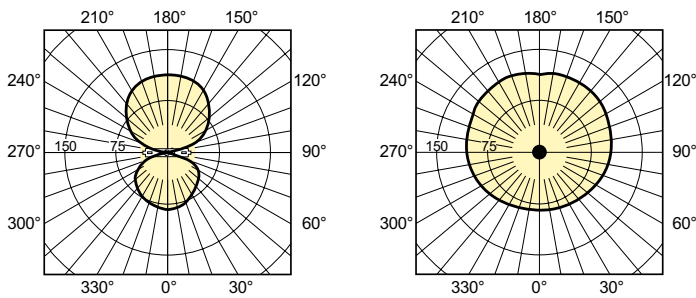
Local order code	70MHWTD
SAP numerator – quantity per pack	1
EAN/UPC – Product/Case	8718291215301
Numerator – packs per outer box	12
EAN/UPC - Case	8718291215318

## Dimensional drawing



Product	D (max)	D	O	C (max)
MHN-TD 70W/730 RX7s 1CT/12	19.5 mm	0.75 in	7.7 mm	117.6 mm

## Photometric data



Light Distribution Diagram - MHN-TD 70W/730 RX7s 1CT/12

Spectral Power Distribution Colour - MHN-TD 70W/730 RX7s 1CT/12

