



MASTER LEDspot LV AR111

MAS LEDspotLV D 15-75W 827 AR111 24D

With its new perfect-fit design, the Master LEDspot LV AR111 now works with most of G53 luminaires as a true retrofit solution. The lamp creates a brilliant visual effect for retail and hospitality applications such as shops, showrooms and galleries. The high quality light brings out the true colors in merchandise and emphasizes its beauty. It also lasts long, with a strong lumen and color maintenance. The beautifully designed lamp offers a well-defined beam with a multitude of beam angles to suit various applications. Not only does it employ the Philips patented solution to ensure it is compatible with a broad selection of standard 12V halogen electronic transformers, it also delivers high beam intensity which equivalent to halogen AR111 spots of 50W, 75W or 100W.

Product data

General Information		Color Consistency	
Cap-Base	G53 [G53]	Color rendering index (CRI)	<6
Nominal lifetime	40,000 hour(s)	LLMF At End Of Nominal Lifetime (Nom)	80
Switching Cycle	50,000	Luminous Flux in 90° Cone (Rated)	70 %
Lighting Technology	LED		800 lm
EU RoHS compliant	Yes	Operating and Electrical	
Light Technical		Line Frequency	50 to 60 Hz
Color Code	827 [CCT of 2700K]	Input Frequency	50 to 60 Hz
Beam Angle (Nom)	24 degree(s)	Power Consumption	15 W
Luminous Flux	800 lm	Lamp Current (Nom)	1,600 mA
Luminous Intensity (Nom)	4,750 cd	Wattage Equivalent	75 W
Color Designation	Warm White (WW)	Starting Time (Nom)	1 s
Correlated Color Temperature (Nom)	2700 K	Warm-up time to 60% light	instant full light s
Luminous Efficacy (rated) (Nom)	53.33 lm/W	Power Factor (Fraction)	0.5

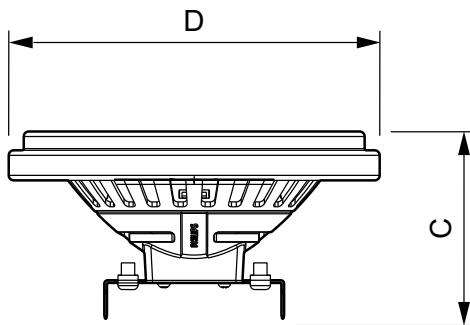
MASTER LEDspot LV AR111

Voltage (Nom)	12 V
Controls and Dimming	
Dimmable	Yes
Mechanical and Housing	
Bulb Shape	AR111
Approval and Application	
Suitable For Accent Lighting	Yes
Energy Consumption kWh/1000 h	16 kWh
EyeComfort	Yes

Product Data

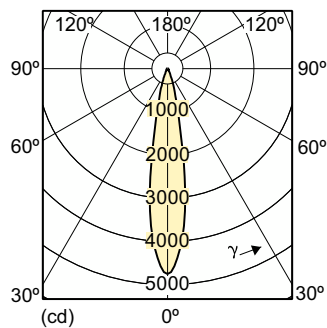
Order product name	MAS LEDspotLV D 15-75W 827 AR111 24D
Full product name	MAS LEDspotLV D 15-75W 827 AR111 24D
Full product code	871829171854300
Order code	929000261002
Material Nr. (12NC)	929000261002
Numerator - Quantity Per Pack	1
EAN/UPC - Product/Case	8718291718543
Numerator - Packs per outer box	6
EAN/UPC - Case	8718291718550

Dimensional drawing



Product	D	C
MAS LEDspotLV D 15-75W 827 AR111 24D	111 mm	56 mm

Photometric data



Light Distribution Diagram - MAS LEDspotLV D 15-75W 827 AR111 24D

MASTER LEDspot LV AR111

