



# LED PAR38

## 17PAR38/F25 2700 DIM AF SO 6/1

Philips LED spots with a single optic beam, provide a clean beam that's free from shadows with beam angles from 15 and 40 degrees to suit every general lighting application.

### Product data

General Information	
Cap-Base	E26 [Single Contact Medium Screw]
Nominal lifetime	25,000 hour(s)
Switching Cycle	50,000
Lighting Technology	LED
EU RoHS compliant	Yes

Light Technical	
Color Code	827 [CCT of 2700K]
Beam Angle (Nom)	25 degree(s)
Luminous Flux	1,200 lm
Luminous Intensity (Nom)	6,800 cd
Color Designation	Warm White (WW)
Correlated Color Temperature (Nom)	2700 K
Luminous Efficacy (rated) (Nom)	71 lm/W
Color Consistency	<6
Color rendering index (CRI)	80
LLMF At End Of Nominal Lifetime (Nom)	70 %

Operating and Electrical	
Line Frequency	60 Hz
Input Frequency	60 Hz
Power Consumption	17 W
Lamp Current (Nom)	167 mA

Wattage Equivalent	120 W
Starting Time (Nom)	0.5 s
Warm-up time to 60% light	0.5 s
Power Factor (Fraction)	0.85
Voltage (Nom)	120 V

Temperature	
T-Case Maximum (Nom)	89 °C

Controls and Dimming	
Dimmable	Yes

Mechanical and Housing	
Bulb Shape	PAR38 [PAR 4.75 inch/121mm]

Approval and Application	
Suitable For Accent Lighting	Yes
Energy Certifications	Energy Star

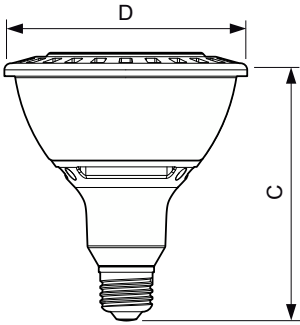
Product Data	
Order product name	120V PAR38 17W 25D 2700K 1200 D AF SO
Full product name	17PAR38/F25 2700 DIM AF SO 6/1
Order code	435388
Material Nr. (12NC)	929001113404

# LED PAR38

Numerator - Quantity Per Pack	1
EAN/UPC - Product/Case	046677435387
Numerator - Packs per outer box	6

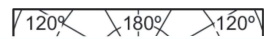
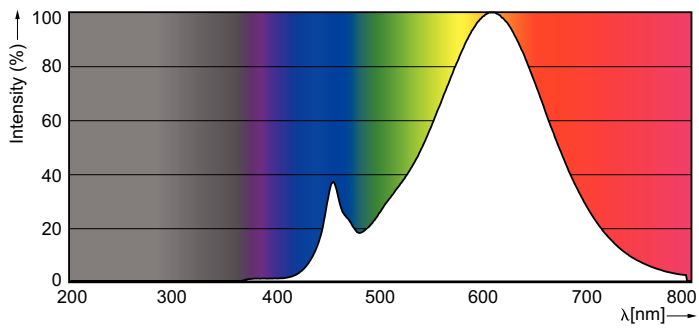
EAN/UPC - Case	50046677435382
----------------	----------------

## Dimensional drawing



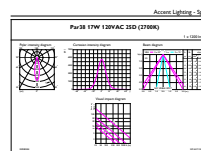
Product	D	C
120V PAR38 17W 25D 2700K 1200 D AF SO	120.3 mm	130.5 mm

## Photometric data



Spectral Power Distribution Colour - 120V PAR38 17W 25D 2700K 1200 D AF SO

Light Distribution Diagram - 120V PAR38 17W 25D 2700K 1200 D AF SO



General uniform lighting - 120V PAR38 17W 25D 2700K 1200 D AF SO

## LED PAR38

