



MASTER LEDtube EM/ Mains T8

MASTER LEDtube 1500mm HO 23W840 T8

The Philips MASTER LEDtube integrates a LED light source into a traditional fluorescent form factor. Its unique design creates a perfectly uniform visual appearance which cannot be distinguished from traditional fluorescent. For those that are looking for value for money within limited budget and re-lamping efforts for better light effect and lifetime.

Warnings and Safety

• -

Product data

General Information		Operating and Electrical	
Cap-Base	G13 [Medium Bi-Pin Fluorescent]	Line Frequency	50 to 60 Hz
Nominal lifetime	50,000 hour(s)	Input Frequency	50 to 60 Hz
Switching Cycle	200,000	Power Consumption	23 W
Lighting Technology	LED	Lamp Current (Max)	105 mA
EU RoHS compliant	Yes	Lamp Current (Min)	95 mA
Light Technical		Starting Time (Nom)	0.5 s
Color Code	840 [CCT of 4000K]	Warm-up time to 60% light	0.5 s
Beam Angle (Nom)	160 degree(s)	Power Factor (Fraction)	0.9
Luminous Flux	3,100 lm	Voltage (Nom)	220-240 V
Color Designation	Cool White (CW)	Temperature	
Correlated Color Temperature (Nom)	4000 K	Ambient temperature range	-20 °C to 35 °C
Color Consistency	<6	T-Case Maximum (Nom)	55 °C
Color rendering index (CRI)	80		
LLMF At End Of Nominal Lifetime (Nom)	70 %		

MASTER LEDtube EM/Mains T8

Controls and Dimming

Dimmable	No
----------	----

Mechanical and Housing

Product Length	1,500 mm
----------------	----------

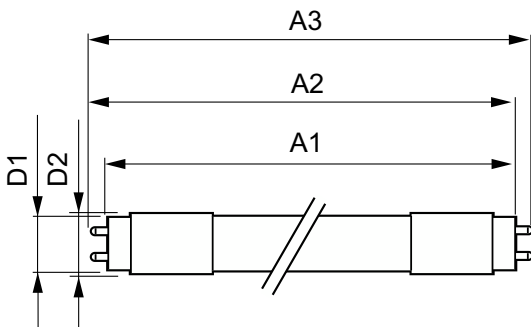
Approval and Application

Energy Saving Product	Yes
Suitable For Accent Lighting	No
Approval Marks	CE marking RoHS compliance KEMA Keur certificate
Energy Consumption kWh/1000 h	23 kWh

Product Data

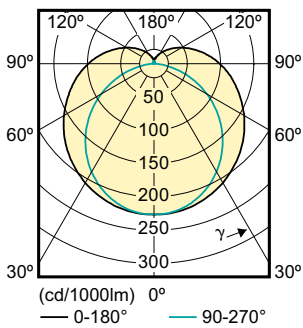
Order product name	MAS LEDtube 1500mm HO 23W840 T8
Full product name	MASTER LEDtube 1500mm HO 23W840 T8
Full product code	871829178958100
Order code	78958100
Material Nr. (12NC)	929001116102
Numerator - Quantity Per Pack	1
EAN/UPC - Product/Case	8718291789581
Numerator - Packs per outer box	10
EAN/UPC - Case	8718291789598

Dimensional drawing

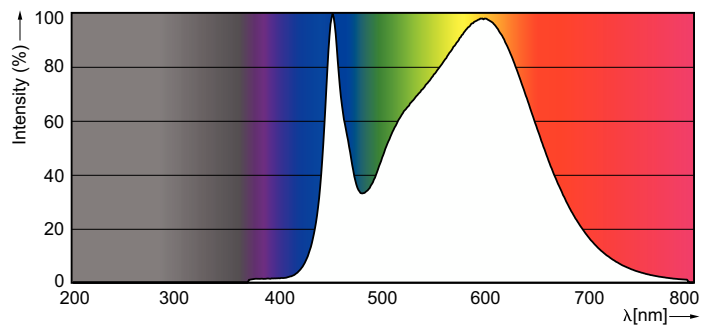


Product	D1	D2	A1	A2	A3
MAS LEDtube 1500mm HO 23W840 T8	25.68 mm	28 mm	1,500.0 mm	1,507.1 mm	1,514.2 mm

Photometric data



Light Distribution Diagram - MAS LEDtube 1500mm HO 23W840 T8



Spectral Power Distribution Colour - MAS LEDtube 1500mm HO 23W840 T8

MASTER LEDtube EM/Mains T8

