

# MASTER LEDtube EM/ Mains T8

## MAS LEDtube 1200mm SO 14.5W 840 T8 ROT

The Philips MASTER LEDtube integrates a LED light source into a traditional fluorescent form factor. Its unique design creates a perfectly uniform visual appearance, which cannot be distinguished from traditional fluorescent. These T8 LED tubes are the right choice for absolute performance and are designed to stand up to everyday conditions. Unparalleled savings thanks to low energy consumption and an exceptionally long lifetime ensure this tube masters every demanding application.

### Warnings and Safety

- NOTE: The overall energy efficiency and light distribution of any installation that uses these lamps will be determined by the design of the installation.

### Product data

General Information	
Cap-Base	G13 [Medium Bi-Pin Fluorescent]
Nominal lifetime	50,000 hour(s)
Switching Cycle	50,000
Lighting Technology	LED
EU RoHS compliant	Yes

Light Technical	
Color Code	840 [CCT of 4000K]
Beam Angle (Nom)	160 degree(s)
Luminous Flux	1,600 lm
Correlated Color Temperature (Nom)	4000 K
Color Consistency	<6
Color rendering index (CRI)	83

LLMF At End Of Nominal Lifetime (Nom) 70 %	
--	--

Operating and Electrical	
Line Frequency	50 to 60 Hz
Input Frequency	50 to 60 Hz
Power Consumption	14.5 W
Starting Time (Nom)	0.5 s
Warm-up time to 60% light	Instant full light s
Power Factor (Fraction)	0.9
Voltage (Nom)	220-240 V

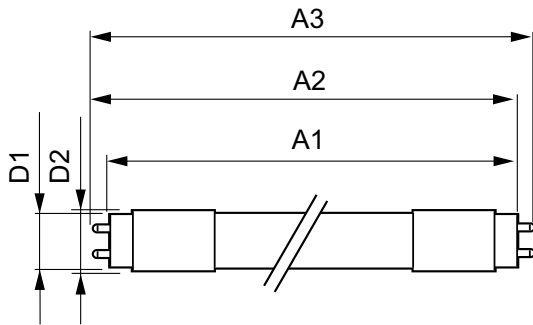
Temperature	
Ambient temperature range	-20 °C to 35 °C

# MASTER LEDtube EM/Mains T8

T-Case Maximum (Nom)	55 °C
<b>Controls and Dimming</b>	
Dimmable	No
<b>Mechanical and Housing</b>	
Product Length	47-1/4 inch
<b>Approval and Application</b>	
Energy Saving Product	Yes
Suitable For Accent Lighting	No
Approval Marks	CE marking RoHS compliance KEMA Keur certificate
Energy Consumption kWh/1000 h	15 kWh

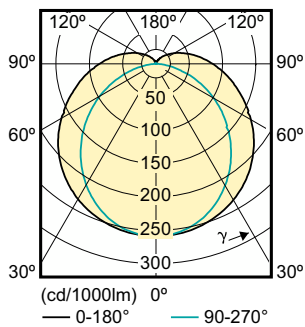
<b>Product Data</b>	
Order product name	MAS LEDtube 1200mm SO 14.5W 840 T8 ROT
Full product name	MAS LEDtube 1200mm SO 14.5W 840 T8 ROT
Full product code	871829179308300
Order code	929001119202
Material Nr. (12NC)	929001119202
Numerator - Quantity Per Pack	1
EAN/UPC - Product/Case	8718291793083
Numerator - Packs per outer box	10
EAN/UPC - Case	8718291793090

## Dimensional drawing

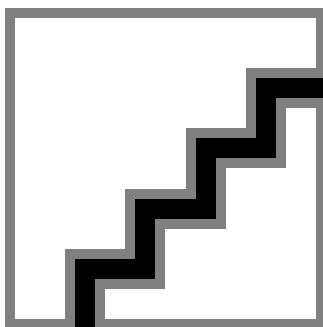


Product	D1	D2	A1	A2	A3
MAS LEDtube 1200mm SO 14.5W 840 T8 ROT	25.68 mm	28 mm	1,198.0 mm	1,205.0 mm	1,212.0 mm

## Photometric data



Light Distribution Diagram - MAS LEDtube 1200mm SO 14.5W 840 T8 ROT



Spectral Power Distribution Colour - MAS LEDtube 1200mm SO 14.5W 840 T8 ROT

## MASTER LEDtube EM/Mains T8

